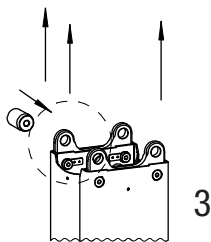
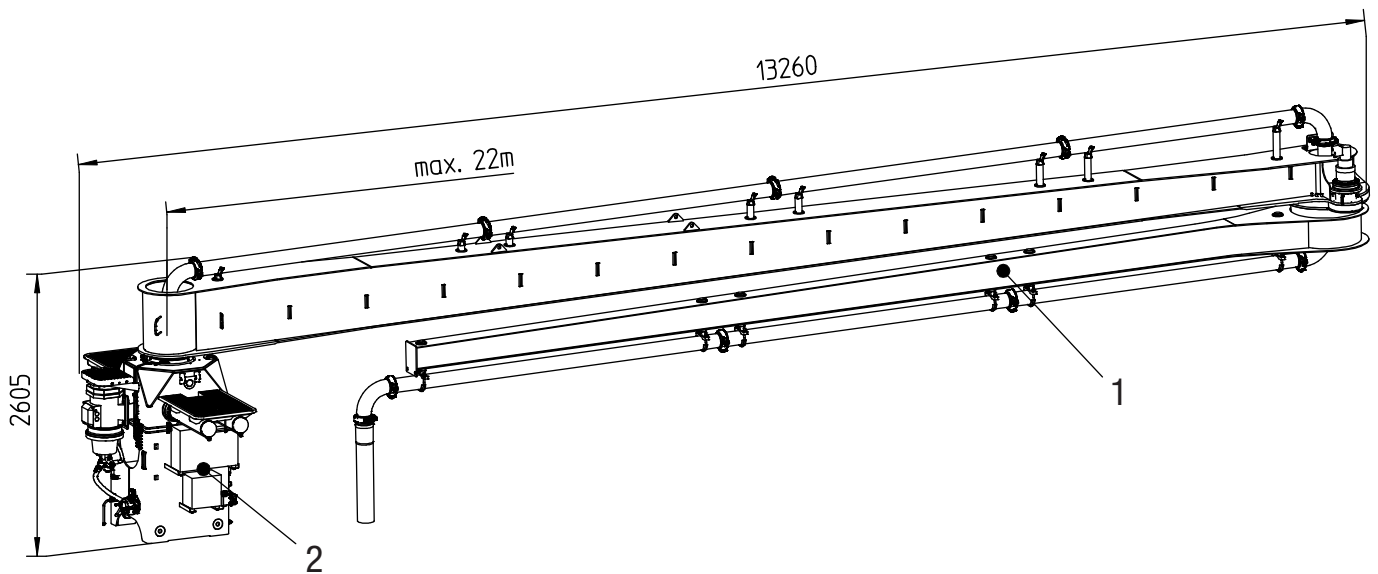


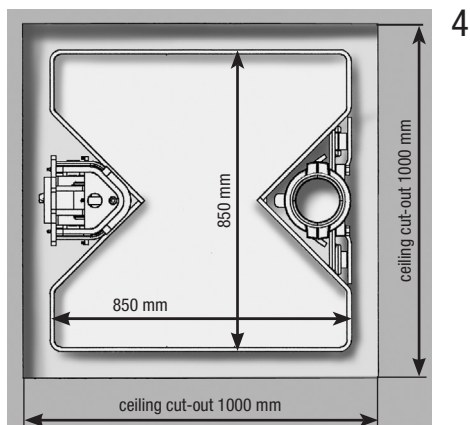
Rotary distributor

RV 22



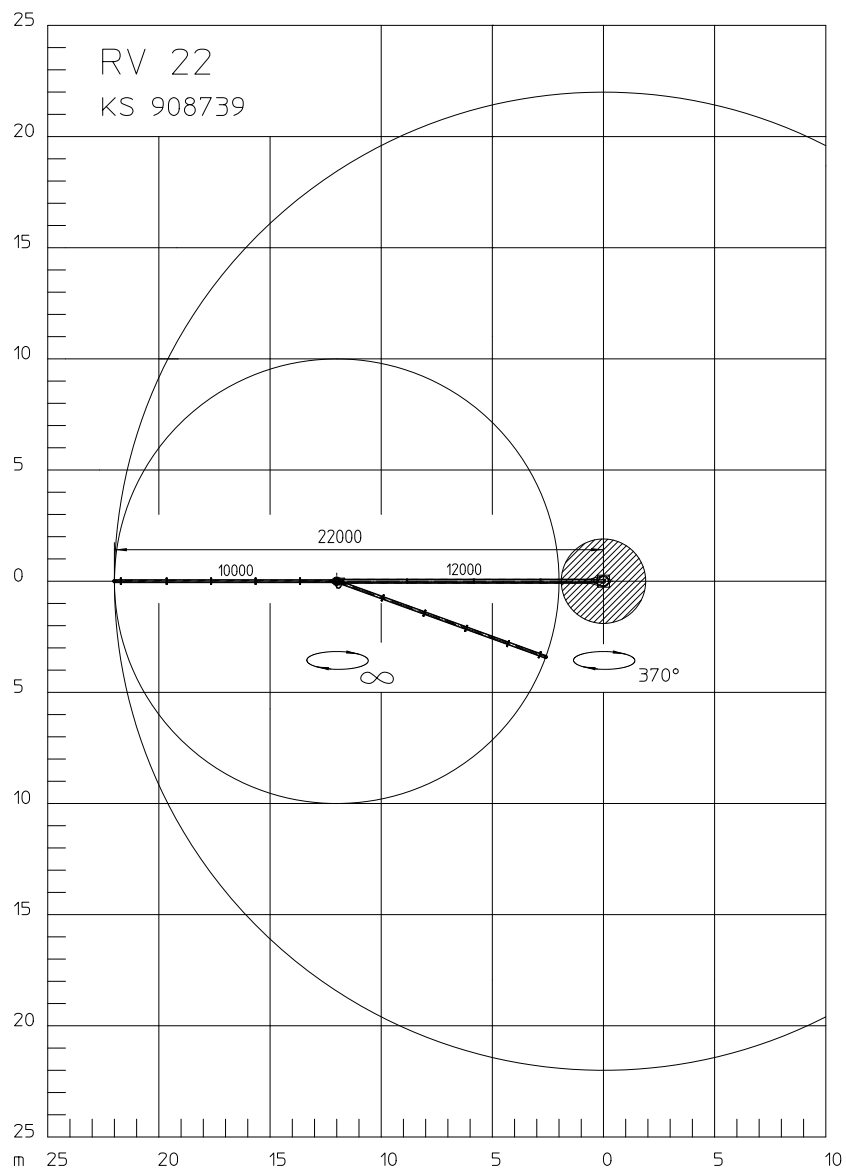
Description

- 1 2-section rotary distributor with concrete line and end hose
- 2 Boom pedestal with mounted hydraulic unit, integrated hydraulic oil tank and electric control cabinet
- 3 Putzmeister column system RS 850
- 4 Cross section Putzmeister column system RS 850 with suitable cut-out in the ceiling



Note: Standard version. Dimensions and weights depend on equipment.

Reach information diagram



Technical data

Stationary placing boom RV 22		
Sections		2
Horizontal reach	m	22
Delivery line		DN 125
End hose length	m	4
Max. height w/o counterweight	m	25.5
Slewing range	°	370
Weight (boom + pedestal)	t	6

All data max. theor.

Dimensions can differ depending on configuration.

Serial delivery scope available on request