

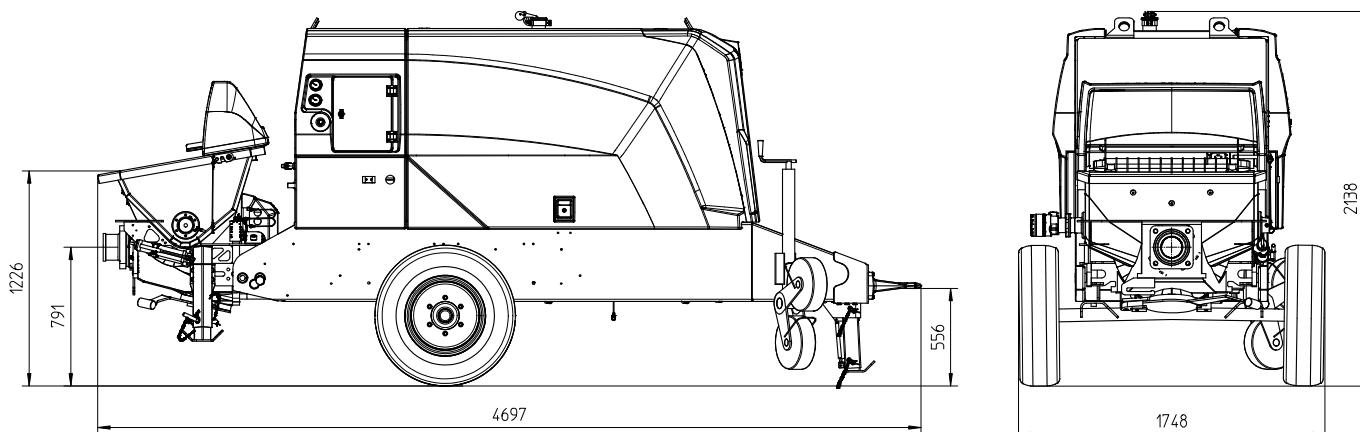


Putzmeister

Stationary concrete pump

BSA 1005 D5 BSA 1005 E

Output up to 52 m³/h
Delivery pressure up to 70 bar



Dimensions and weights depend on equipment. Subject to technical modifications and errors.

Technical data

Model		BSA 1005 D5	BSA 1005 E
Material number		102682.000	102683.000
Output	m ³ /h	52	47
Delivery pressure	bar	70	
Delivery cylinder	Ø mm	180	
Delivery cyl. stroke	mm	1000	
Strokes / minute		33	31
Engine / motor power	kW	55.4	45
Hopper		RS 488	
Capacity	l	approx. 300	
Filling height	m	1.23	
Transfer tube		S 1812	
Line connection	mm	SK 125	
Pressure connection	"	5.5	
Control system		Ergonic 3 PS	
Diesel tank	l	120	–
Weight	kg	2900	3000

Serial equipment

Agitator safety switch off	Grill 60 mm
Cable remote control 10 m	Horn
Central lubrication on hopper with grease gun	Operating manuals (1× paper, 1× CD-ROM) spare part list
Chassis F8	Output adjustment, electrical
Cleaning accessories	Outriggers 3× mech.
Coloring: Pump, frame, roof anthracite-grey Doors chrome yellow	Speed drawdown automatically on pump stop (Diesel driven only)
Concrete hopper with agitator	Splash guard
Drive diesel, Deutz 55.4 kW, Stage 5 (1005 D5)	Standard equipment
Drive electric, 45 kW, iE03 (1005 E)	Support wheel
Electronic error management	Tow coupler, DIN eye
Ergonic Graphic Display	
Flushing water pump 50 l/min 20 bar	

All data maximum theoretical

See quotation for exact serial delivery scope.
Comprehensive range of options available on request.