



Putzmeister

Semi-dry floor screed

Self levelling
floor screed

Plaster/Fine plaster

Shotcrete

Fine grained concrete

Special applications



Valid from 06/2023

Catalogue

Screed conveyors, plastering machines, fine concrete pumps

Putzmeister – a name that stands for quality and innovation



Putzmeister Mörtelmaschinen GmbH offers one of the world's most comprehensive range of powerful machines for a wide variety of applications. Whether screed, self levelling floor screed, plaster, fine grained concrete or shotcrete – we offer a range of machines ideal for mixing and pumping.

Technology with more value

We want to be more than just a technological leader. We want to be a reliable partner for our customers. We therefore offer you:

- **A comprehensive network of competent sales partners**
- **Complete, comprehensible technical documentation**
- **Competent contact representatives to answer your questions**
- **Fast, uncomplicated order processing**
- **Short delivery times for machines, spare parts, and wear parts**
- **Fair pricing**
- **Certification according to DIN ISO 9001**



	Model	Delivery rate	Maximum delivery range*	Material/Max. particle size	Model	Delivery rate	Maximum delivery range*	Material/Max. particle size
Semi-dry floor screed	Mixokret M 500/ M 700 o.Kompr., P. 10	4 m³/h	120 m horizontal 60 m vertical	16 mm	Mixokret M 760 Stage V P. 16	4–5 m³/h	190 m horizontal 135 m vertical	16 mm
	Mixokret M 740 Stage V P. 12	3,8–5 m³/h	180 m horizontal 90 m vertical	16 mm	Mixokret M 760 P. 18	4–5 m³/h	200 m horizontal 150 m vertical	16 mm
	Mixokret M 740 P. 14	3,8–5 m³/h	180 m horizontal 90 m vertical	16 mm				
Self levelling floor screed	S 5 EF P. 22	90 l/min	60 m horizontal 40 m vertical	8 mm	MP 25 P. 34	25 l/min	40 m horizontal 15 m vertical	4 mm
	SP 11 THF P. 24	0–15 m³/h (0–250 l/min)	80 m horizontal 40 m vertical	8 mm	P 13 P. 50	30–90 l/min	150 m horizontal 80 m vertical	6–8 mm
	SP 20 GHF P. 26	0–20 m³/h	200 m horizontal 60 m vertical	10 mm	P 715 P. 54	4–17,4 m³/h	300 m horizontal 100 m vertical	16 mm
	SP 25 DHF P. 26	0–20 m³/h	200 m horizontal 60 m vertical	10 mm	P 720 P. 56	3–21 m³/h	300 m horizontal 100 m vertical	16 mm
Plaster/Fine plaster	P 12 P. 30	6–12 l/min	30 m horizontal 15 m vertical	4 mm	SP 11 LMR P. 44	5–60 l/min	60 m horizontal 40 m vertical	6 mm
	MP 25 P. 34	25 l/min	40 m horizontal 15 m vertical	4 mm	SP 25 DQR P. 46	0,3–4,5 m³/h	70 m horizontal 50 m vertical	6 mm
	S 5 EV/ EVTM P. 38	7–40 l/min	60 m horizontal 40 m vertical	6 mm	P 13 P. 50	20–80 l/min	150 m horizontal 80 m vertical	6–8 mm
Shotcrete	P 13 P. 50	30–90 l/min	150 m horizontal 80 m vertical Site mix: 60 m horizontal, 40 m vertical	6–8 mm	P 718 P. 62	4–17,4 m³/h	100 m horizontal 80 m vertical	32 mm
	P 715 P. 54	4–17,4 m³/h	100 m horizontal 80 m vertical	16 mm	P 730 P. 64	3–30 m³/h	100 m horizontal 80 m vertical	32 mm
	P 720 P. 56	3–21 m³/h	100 m horizontal 80 m vertical	16 mm				
Fine grained concrete	P 13 P. 50	30–90 l/min	150 m horizontal 80 m vertical Site mix: 60 m horizontal, 40 m vertical	6–8 mm	P 718 P. 62	4–17,4 m³/h	300 m horizontal 100 m vertical	32 mm
	P 715 P. 54	4–17,4 m³/h	300 m horizontal 100 m vertical	16 mm	P 730 P. 64	3–30 m³/h	300 m horizontal 100 m vertical	32 mm
	P 720 P. 56	3–21 m³/h	300 m horizontal 100 m vertical	16 mm				

Special applications	Concrete repairs	S 5 (P. 38), SP 11 (P. 44), SP 25 DQR (P. 46)
	Self-levelling compound	P 12 (P. 30), MP 25 (P. 34), S 5 (P. 38)
	Geothermal drilling	S 5 (P. 38), SP 11 (P. 44), P 13 (P. 50), P 715 (P. 54), P 720 (P. 56)
	Fire protection	P 12 (P. 30), S 5 (P. 38), SP 11 (P. 44)
	Glass-fibre-reinforced concrete	S 5 (P. 38)
	Injecting/grouting/ filling/pointing	P 12 (P. 30), S 5 (P. 38), SP 11 (P. 44), P 13 (P. 50), P 715 (P. 56), P 720 (P. 58)
	Masonry mortar	S 5 (P. 38), SP 11 (P. 44), P 13 (P. 50)
	ETICS	P 12 (P. 30), MP 25 (P. 34), S 5 (P. 38), SP 11 (P. 44)
	Sand, aggregate, gravel	M 500 (P. 10), M 740 (P. 12, P. 14), M 760 (P. 16, P. 18)

Legend



SM – Site mix
(water, aggregate, binder)



Suitable for large construction sites



PDM – Premixed dry mortar
(bagged goods or combination from silo and flow-type mixer)



Suitable for small construction sites

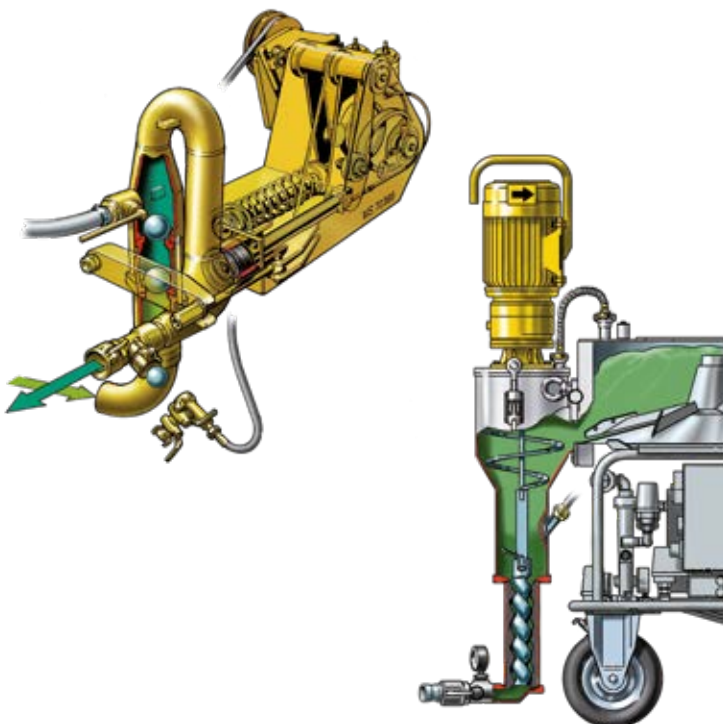
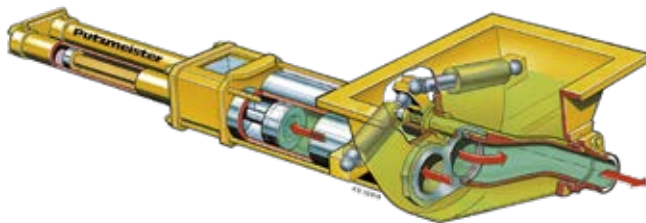
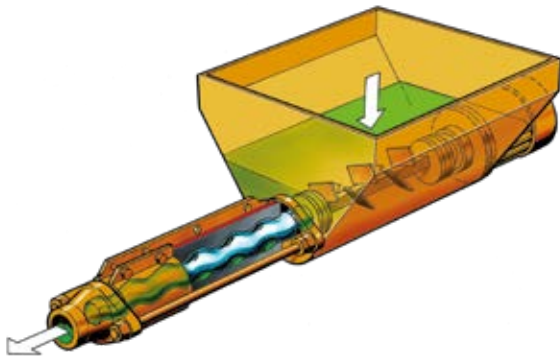
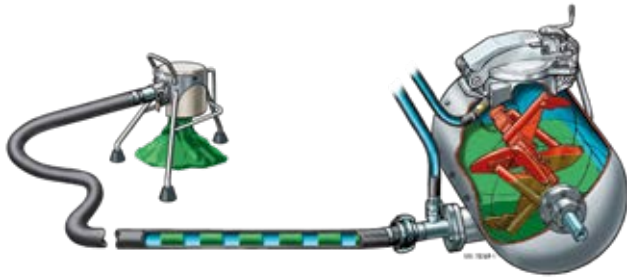


RMM – Ready mixed mortar
(ready mix wet material from container or truck mixer)

Note: Always use a compatible mortar in combination with the machine technology. In you have any questions, please speak to the material manufacturer or contact us directly.

* Depending on material and machine configuration.

Range of pumps – the right system for every application



Our machines are equipped with different pump systems that are tailored to the respective applications.

Compressed-air conveyors

Our conveyors operate according to the plug conveyance principle and are ideally suited to conventional screed applications. Some of the compressed air enters the pressure reservoir as header air and is mixed with the material to be conveyed, while the remainder enters the pressure line in order to separate the material into plugs and push them along the hose. e.g. M 500, M 700, M 740, M 760.

Worm pumps

The material flows steadily out of the hopper and into the auger assisted by the mixer shaft. The conveyor consists of a rotating steel shaft (rotor) and a flexible rubber housing (stator), and the delivery rate and pressures depend on the geometry of these parts. These durable worms have a robust design and are capable of conveying high-viscosity materials. e.g. S 5, SP 11, SP 25.

Piston pumps

Putzmeister double piston pumps operate with a high degree of reliability. The low-set agitator conveys concrete to the cylinder openings, and two changeover cylinders move the S transfer tube back and forth between the pressure and suction openings. Hard chrome plated delivery cylinders, spectacle wear plates made from hardened steel and the design of the S transfer tube system all guarantee a long service life. e.g. P 715, P 718, P 720, P 730.

Mechanical single piston pumps

A pump for extreme conditions. The material is conveyed from the trap mixer through the hopper to the intake opening, where the delivery piston draws it through the valve housing. Automatically controlled ball valves then operate to open the channel to the pressure outlet of the pump. The delivery pistons are driven by a cam disc and operate with a counter stroke, whereby one piston only offers a balancing function. e.g. P 13.

Mixer pumps

The hopper can be filled with bagged goods or premixed dry mortar via an air injection hood. The material enters the mixing pipe assisted by the agitator, and the water quantity can be adjusted accurately and added directly to the mortar in the mixing zone. The pump consists of a flexible rotor & stator system, e.g. MP 25.

Solutions for conventional screed

Site mixes (water, aggregate, binder) with a maximum particle size of 16 mm are added to the mixing vessel and then conveyed to the discharge tripod by compressed air.

M 500 E	10
M 700 E	10
M 740 – Stage V	12
M 740 – Non-EU	14
M 760 – Stage V	16
M 760 – Non-EU	18
Accessories Mixokret	20

Semi-dry floor screed

Solutions for self levelling floor screed

For flowing screeds produced at a screed or concrete plant, and then delivered direct to the construction site after the addition of a retarding admixture, a machine with either a worm pump or a piston pump can be used, depending on the distance, delivery rate/method and particle size (max. 16 mm).

We also offer economical solutions for self levelling floor screed in the form of premixed dry bags or site mixes with a maximum particle size of 4 to 8 mm.

S 5 EF	22
Accessories S 5 EF	22
SP 11 THF – Stage V	24
SP 20 GHF – Stage V	26
SP 25 DHF – Stage V	28
MP 25	34
Accessories MP 25	36
P 715	54
P 720 – Stage V	56
Accessories P 715 / P 720	58

Self levelling floor screed

Solutions for standard and fine plaster

Putzmeister offers a wide range of mixing and pumping systems, primarily different versions of worm pump for processing premixed dry mortar with a maximum particle size of 3 to 8 mm.

Alternatively, we also offer a machine with a piston pump for pumpable site-made mixes containing aggregate (sand), lime or cement and water, which are manufactured in the mixer and applied with a spray gun.

P 12	30
Accessories P 12	32
MP 25	34
Accessories MP 25	36
S 5 EV / EVT M	38
Accessories S 5 EV / EVT M	40
SP 11 LMR – Stage V	44
SP 25 DQR – Stage V	46
Accessories SP 11 / SP 25	48
P 13	50
Accessories P 13	52

Plaster/Fine plaster

Solutions for shotcrete

Shotcrete is manufactured using a special process and conveyed from a truck mixer into the pump hopper. A special spray gun is then used for the technically complex application process. Accelerating admixture that reduces the retarding time of the concrete can be added according to the consistency, coating thickness, etc.

P 13	50
Accessories P13	52
P 715	54
P 720 – Stage V	56
Accessories P 715 / P 720	58
P 718	62
P 730	64
Accessories P 718 / P 730	66

Shotcrete

Solutions for fine grained concrete

Fine grained concrete is characterised by a maximum grain size of 32 mm. The premixed, wear-intensive material is added to the hopper on the machine, and can then be conveyed over long distances to the required placement site, usually by extremely robust, wear-resistant piston pumps.

P 13	50
Accessories P13	52
P 715	54
P 720 – Stage V	56
Accessories P 715 / P 720	58
P 718	62
P 730	64
Accessories P 718 / P 730	66

Fine grained concrete

Solutions for special applications

We have one or more suitable solutions for every special application. Putzmeister machines can be adapted perfectly to specific requirements in combination with the relevant accessory kits.

M 500 E	10
M 700 E	10
M 740 – Stage V	12
M 740 – Non-EU	14
M 760 – Stage V	16
M 760 – Non-EU	18
P 12	30
MP 25	34
S 5 EV / EVT M	38
SP 11 LMR – Stage V	44
SP 25 DQR – Stage V	46
P 13	50

Special applications

Maximum efficiency, maximum economic benefit – because only quality prevails

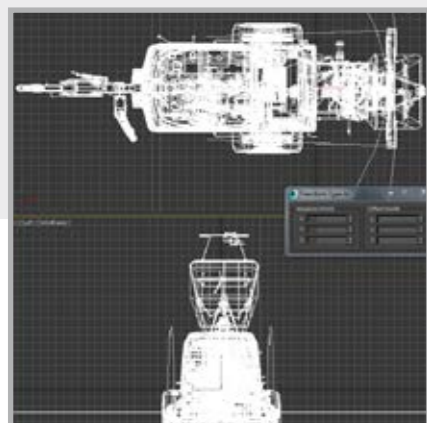


Made in Germany – delivering consistent quality

We believe that only quality prevails. We therefore rely on the **“Made in Germany”** quality standard. Most main/drive components are developed and manufactured by Putzmeister or originate from other renowned German manufacturers.

Developed, produced and tested by a single company

More than 120 employees at Putzmeister Mörtelmaschinen in Development, Production and Testing, work hand in hand to make your life easier. However, it is our customers and their individual challenges on construction sites that create a stimulus for improvement.



Putzmeister – at home on any construction site



India, Mumbai



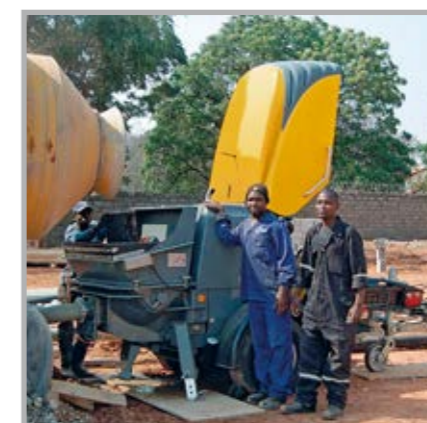
Russia, Ryazan
placement of ~ 100,000 m² of screed



Germany



Maldives, Vilufushi Island



Africa, Zambia, Lusaka



France, Bordeaux

Central Market Project in Abu Dhabi,
Conveying screed in two stages to a
height of 320 m

Eco-friendly and durable – because sustainability is the best policy

Generous power reserves and economical consumption

Putzmeister machines have more than enough power under the hood for every application. They are therefore rarely pushed to their limit. When idling, the motor automatically reduces its speed of rotation even further to save fuel and reduce wear.



Durability maximised right down to the last detail

All materials and components have a maximum life and wear resistance limit. For example, the hood from our Mixokret machines is manufactured from high-strength, extremely impact-resistant plastic. All piston pumps are fitted with hard chrome plated cylinders as well as a spectacle wear plate made from tempered steel – just some of the many practical details.



Less noise – less working stress

We keep noise levels to a minimum. Our engines are extremely quiet and operate efficiently, even at low speeds. They are also sound-insulated. The user-friendly exhaust air system also prevents the operator from being bothered unnecessarily during work.



Material selected according to the application

Delivering fine plaster creates a whole new set of challenges for machine components compared to pumping sand or aggregate. At the same time, costs must remain transparent, in particular those of spare parts. Our machines are therefore fitted with components whose service life is designed for the specific application.



Repairable design for outstanding value retention

Service and maintenance characteristics play an important role in the design of our machines, because the easier it is to access all components on the machine, the less time and money is invested to complete essential work and the longer it is worth repairing. We keep more than 12,000 items in stock should the worst come to the worst, and even spare parts for older models are available at short notice. Fortunately, there are more available than you think.

On the safe side with Putzmeister

Our customers appreciate the fact that our machines are considered premium-class products in terms of quality, productivity and durability. You can also rest assured that our products comply with all currently applicable standards and Machinery Directives. Ultimately, it is a win-win situation in terms of safety for users who work with and around the machine as well as for owners because the investment is protected against possible damage.



Mixokret M 500 E / M 700 E

The compact screed conveyors with electric drive, for a wide variety of jobs with external compressors

Semi-dry floor screed

- Cement screed
- Calcium sulphate screed (anhydrite)
- Magnesia screed



Control box
with emergency stop button

Straightforward operating elements
arranged centrally on one side

Protective grille on the vessel

M 700

Integrated lifting eye
For safe and simple transport

Environmentally friendly electric motor
18.5 kW, 400 V

640 l mixer drum
for long delivery intervals

Robust chassis
for manoeuvring on the construction site

Easy-to-remove towing device –
so the M 500 takes up even less space on the construction site

M 500

Equipment	M 500 E	M 700 E
Central mixer drum outlet	■	■
Discharge stand	■	■
Grease cartridge	■	■
Instruction manual and spare parts list	■	■
Lever press with hose	■	■
Lifting eye	■	■
Manual lid	■	■
Truck coupling	■	■
Central lubrication system	□	□
Wear plate on the dome	-	□
Wear plates (Hardox, 6 mm)	-	□
Wear plates (Hardox, 8 mm)	-	□
Wear plates at the front	-	□

■ Standard □ Option – Not available

- Sand and aggregate
- Lightweight concrete
- Lean concrete up to 16 mm
- Granulates

Special applications

Simple and economical

- Electric screed conveyors for use with an auxiliary compressor
- Auxiliary compressors are simply connected via the air port
- Screed conveyors are supplied with affordable power at the construction site
- Ideal for construction companies with compressors in their fleet
- Inexpensive to purchase, operate and maintain



Flexible applications

- Different mixer vessel volumes allow for longer delivery intervals
- Flexible replacement of couplings or pressure connections possible depending on the application and hose required (ID 50, ID 65 or ID 90)
- The M 500 even processes coarse materials with a maximum particle size of 16 mm, making it possible to profitably complete smaller concreting jobs as well
- Powerful auxiliary compressors enable delivery ranges of up to 270 metres



Durable, robust and safe

- Robust chassis enables easy manoeuvring on the construction site
- Integrated lifting eye facilitates safe transport with a crane
- Safety lock and protective grille on the cover for increased safety
- Reinforced, hot-dip galvanised hopper for greater robustness and durability



Technical data	M 500 E	M 700 E
Part no.	111 598.003	111 599.002
Mixing vessel	640 l, 500 l useful capacity	260 l, 200 l useful capacity
Delivery rate (theor.)*	4 m³/h	3.8 m³/h
Delivery pressure (max.)**	7 bar	7 bar
Delivery range**	120 m horizontal, up to 60 m vertical (approx. 20 storeys)	Up to 120 m horizontal, up to 60 m vertical (approx. 20 storeys)
Compressor	Required; air output of 4 m³/min and 7 bar operating pressure or higher**	Required; air output of 2.5 m³/min and 7 bar operating pressure or higher**
Engine	Electric, 18.5 kW, 400 V/50 Hz three-phase current	Electric, 7.5 kW, 400 V/50 Hz three-phase current
Connection	63 A CEE; max. 70 m; min. 10 mm²	32 A CEE; max. 70 m; min. 6 mm²
Fuse	50 A	25 A
Weight	1200 kg	700 kg
Length × width × height	3730 × 1400 × 1410 mm	2670 × 1280 × 1190 mm
Filling height	1140 mm	860 mm
Maximum particle size	16 mm	16 mm
Chassis	Not approved for road use	Not approved for road use
Pressure connection	ID 65	ID 65
Sound level L _{WA} /L _{PA}	89 dB / <85 dB(A)	89 dB / <85 dB(A)

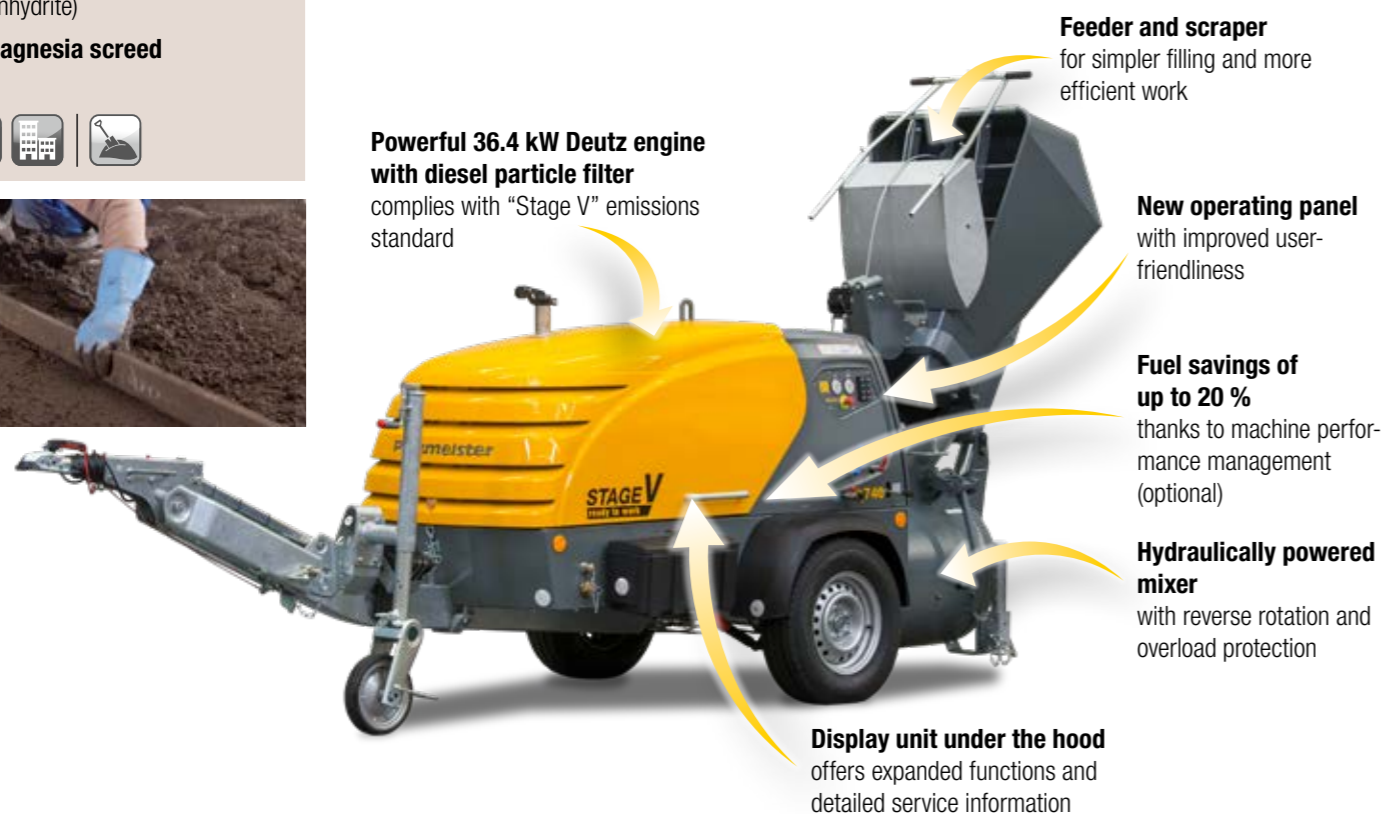
* The data is based on experience and depends on the materials used.

** Recommend air volume = 4 m³/min. Higher air volume increases the Delivery range.

Mixokret M 740 – Stage V

Environmentally friendly and powerful

- Cement screed
- Calcium sulphate screed (anhydrite)
- Magnesia screed



Powerful 36.4 kW Deutz engine with diesel particle filter complies with "Stage V" emissions standard

Feeder and scraper for simpler filling and more efficient work

New operating panel with improved user-friendliness

Fuel savings of up to 20 % thanks to machine performance management (optional)

Hydraulically powered mixer with reverse rotation and overload protection

Display unit under the hood offers expanded functions and detailed service information

Equipment	DH	DHB	DHBS
Auto-Power-Off	■	■	■
Car coupling	■	■	■
Central lubrication system with filling pump	■	■	■
Discharge stand	■	■	■
Hand lever press with hose	■	■	■
Instruction manual and spare parts list	■	■	■
Lifting eye	■	■	■
Reservoir gauge in control panel	■	■	■
Working lights	■	■	■
24 V light holder	□	□	□
Blockage alarm	□	□	□
Conversion to 100 km/h	□	□	□
High-pressure cleaner	□	□	□
Location system	□	□	□
Machine performance management	□	□	□
Mix counter	□	□	□
Mixing time adjustment	□	□	□
Protective plate for feeder	-	□	□
Silo preparation/flange	□	-	-
Special canopy paint in RAL colours/customer labelling	□	□	□
Support feet	-	□	□
Toolbox	□	□	□
Truck coupling	□	□	□
Water metering (integrated)	□	□	□
Wear plates (Hardox, 6 mm)	□	□	□
Wear plates (Hardox, 8 mm)	□	□	□
Wear plates at the front	□	□	□
Wear plates on the dome	□	□	□

■ Standard □ Option – Not available

Environmentally friendly and powerful

- Robust, compact 3-cylinder common-rail diesel engine from Deutz
- DVERT® particle filter system (DPF) enables maintenance-free operation in all possible applications and ambient conditions
- TRGS 554 conformity enables machine operation in (partially) enclosed areas
- Optional machine performance management enables fuel savings of up to 20% by adjusting the motor speed



Robust and clearly laid out operating panel

- Intuitive keypad with "follow the blue light" principle increases operating safety
- All relevant functions are easy to switch on or off – even when wearing work gloves
- Coloured status LEDs on every keypad button provide continuous feedback on current operating states
- Resistant against all usually encountered weather conditions, fluids and chemicals
- Pressure gauge makes it possible to read the mixer and delivery pressure



Machine display with extended range of functions

- Display unit with operating elements in the control box under the hood
- Setting values are saved after the machine is switched off
- Mix counter makes it possible to draw conclusions about the daily performance
- Service menu with comprehensive information enables quick diagnosis in case of faults and reduced downtime
- Reminder display for next due service



Robust and durable

- Hydraulic mixer with reverse rotation and overload protection
- Hood made from special plastic in line with highest production standards with excellent robustness and resilience
- Durability and quality "Made in Germany" guarantee a high resale value



Technical data	M 740 DH	M 740 DHB	M 740 DHBS
Part no.	111 672.1XX	111 672.2XX	111 672.3XX
Mixing vessel	260 l, 200 l useful capacity	260 l, 200 l useful capacity	260 l, 200 l useful capacity
Delivery rate (theor.)*	3.8 m³/h	4.6 m³/h	5 m³/h
Delivery pressure (max.)	8 bar	8 bar	8 bar
Delivery range*	180 m horizontal / 90 m vertical (approx. 30 storeys)		
Compressor	4.35 m³/min; cut-off pressure 8 bar	4.35 m³/min; cut-off pressure 8 bar	4.35 m³/min; cut-off pressure 8 bar
Engine	3-cylinder Deutz Diesel with turbocharging, 36.4 kW (Stage V)		
Weight (fully refuelled)	1715 kg	1840 kg	1900 kg
Tank capacity	70 l	70 l	70 l
Length × width × height	4780 × 1480 × 1520 mm	5075 × 1480 × 2431 mm	5075 × 1480 × 2431 mm
Filling height	820 mm	400 mm	400 mm
Maximum particle size	16 mm	16 mm	16 mm
Chassis	Braked, approved for speeds up to 80 km/h		
Special feature	Basic version	With hydraulic feeder	With hydraulic feeder and scraper
Sound level L _{WA} /L _{pA}	104 dB / >85 dB(A)	104 dB / >85 dB(A)	104 dB / >85 dB(A)

* The data is based on experience and depends on the materials used.

- Sand and aggregate

Mixokret M 740 – Non-EU

Machine operation only permitted outside the EU!

Power and durability

Semi-dry floor screed

- Cement screed
- Calcium sulphate screed (anhydrite)
- Magnesia screed



Scraper blade for easier filling

Sound-proofing equipment

Feeder for more efficient operation

Operating panel for clear and user-friendly operation

Mechanically powered mixer for maximum power transmission

Integrated toolbox means required tools are always available

Equipment	D	DB	DBS
Car coupling	■	■	■
Central lubrication system with filling pump	■	■	■
Discharge stand	■	■	■
Hand lever press with hose	■	■	■
Instruction manual and spare parts list	■	■	■
Lifting eye	■	■	■
Reservoir gauge in control panel	■	■	■
Toolbox (40 l) underneath the hood	■	■	■
Working lights	■	■	■
24 V light holder	□	□	□
Conversion to 100 km/h	□	□	□
Exhaust flap	□	□	□
High-pressure cleaner	-	□	□
Location system	□	□	□
Mixing time adjustment	□	□	□
Protective plate for feeder	-	□	□
Special canopy paint in RAL colours/customer labelling	□	□	□
Support feet	-	□	□
Truck coupling	□	□	□
Water metering	□	□	□
Wear plates (Hardox, 6 mm)	□	□	□
Wear plates (Hardox, 8 mm)	□	□	□
Wear plates at the front	□	□	□
Wear plates on the dome	□	□	□

■ Standard □ Option – Not available

Special applications

- Sand and aggregate

Made for working

- Air valve fitting, instruments and important indicators within view and easy reach
- Robust main switch (on/off, EMERGENCY STOP, pressure gauge) not covered to provide easier access
- Durability and quality "Made in Germany" guarantee a high resale value



User-friendly exhaust air system

- Innovative user-friendly exhaust air system and larger exhaust air shaft
- Effective cooling of interior, compressor and motor reduces heat build-up



Powerful drive unit

- Automatic motor speed control for greater economy and resistance to wear
- Consistent pumping characteristics that reduce stress on the machine
- Constant material flow and fewer impacts in the hose lines
- Increased operating temperature limit to 45 °C



Additional equipment that makes work easier

- With the polystyrene kit, the compressed-air conveyors can be converted from traditional cement screed to polystyrene in just a few steps
- Precise metering of a previously set volume of water at the press of a button with the optional water metering



Technical data	M 740 D	M 740 DB	M 740 DBS
Part no.	111 645.7XX	111 645.8XX	111 645.9XX
Mixing vessel	260 l, 200 l useful capacity	260 l, 200 l useful capacity	260 l, 200 l useful capacity
Delivery rate (theor.)*	3.8 m³/h	4.6 m³/h	5 m³/h
Delivery pressure (max.)	8 bar	8 bar	8 bar
Delivery range*	180 m horizontal / 90 m vertical (approx. 30 storeys)		
Compressor	4.35 m³/min; cut-off pressure 8 bar	4.35 m³/min; cut-off pressure 8 bar	4.35 m³/min; cut-off pressure 8 bar
Engine	3-cylinder Deutz Diesel, 33.5 kW at 2500 rpm (emission stage III A)		
Weight (fully refuelled)	1542 kg	1740 kg	1814 kg
Tank capacity	60 l	60 l	60 l
Length × width × height	4780 × 1480 × 1520 mm	5075 × 1480 × 2431 mm	5075 × 1480 × 2431 mm
Filling height	820 mm	400 mm	400 mm
Maximum particle size	16 mm	16 mm	16 mm
Chassis	Braked, approved for speeds up to 80 km/h		
Special feature	Basic version	With hydraulic feeder	With hydraulic feeder and scraper
Sound level L _{WA} /L _{PA}	104 dB / >85 dB(A)	104 dB / >85 dB(A)	104 dB / >85 dB(A)

* The data is based on experience and depends on the materials used.

Mixokret M 760 – Stage V

Green efficiency – the environmentally friendly powerhouse

- Cement screed
- Calcium sulphate screed (anhydrite)
- Magnesia screed



Machine performance management makes it possible to adjust the engine performance as required – with fuel savings of up to 20 %

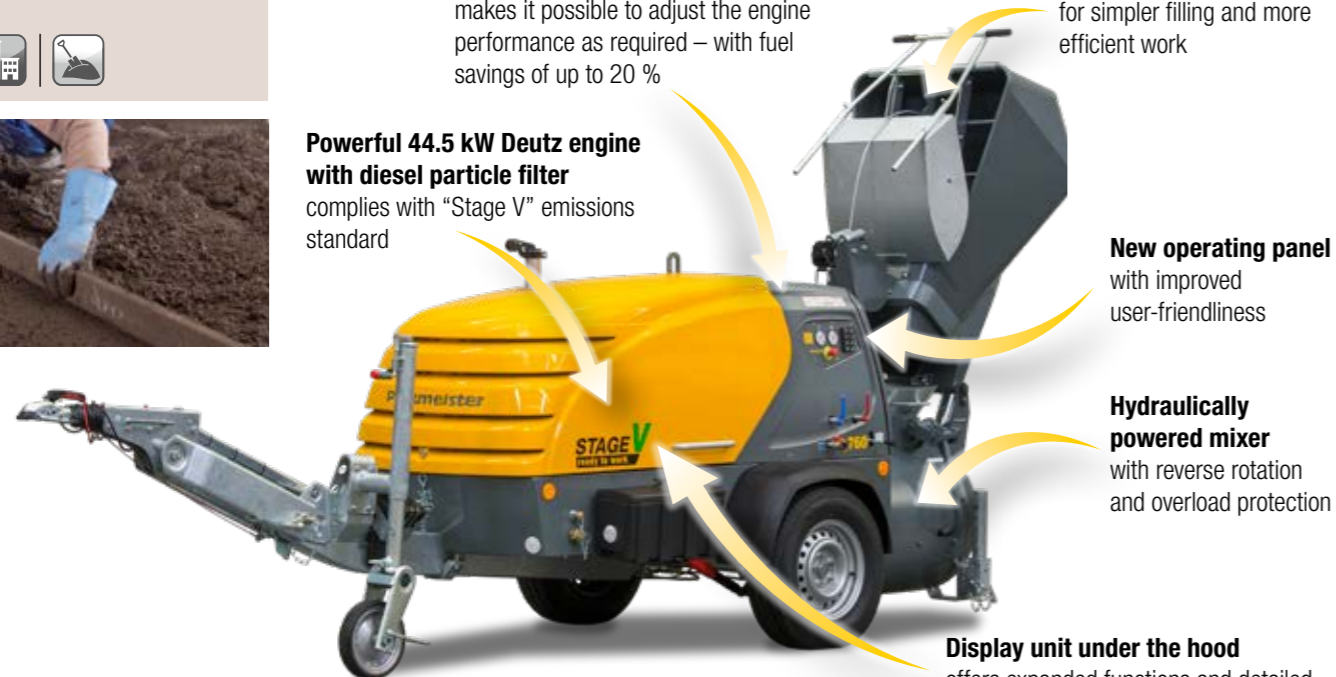
Feeder and scraper for simpler filling and more efficient work

Powerful 44.5 kW Deutz engine with diesel particle filter complies with “Stage V” emissions standard

New operating panel with improved user-friendliness

Hydraulically powered mixer with reverse rotation and overload protection

Display unit under the hood offers expanded functions and detailed service information



Equipment	DH	DHB	DHBS
Auto-Power-Off	■	■	■
Car coupling	■	■	■
Central lubrication system with filling pump	■	■	■
Discharge stand	■	■	■
Hand lever press with hose	■	■	■
Instruction manual and spare parts list	■	■	■
Lifting eye	■	■	■
Machine performance management	■	■	■
Reservoir gauge in control panel	■	■	■
Working lights	■	■	■
24 V light holder	□	□	□
Blockage alarm	□	□	□
Conversion to 100 km/h	□	□	□
High-pressure cleaner	□	□	□
Location system	□	□	□
Mix counter	□	□	□
Mixing time adjustment	□	□	□
Protective plate for feeder	-	□	□
Silo preparation/flange	□	-	-
Special canopy paint in RAL colours/customer labelling	□	□	□
Support feet	-	□	□
Toolbox	□	□	□
Truck coupling	□	□	□
Water metering (integrated)	□	□	□
Wear plates (Hardox, 6 mm)	□	□	□
Wear plates (Hardox, 8 mm)	□	□	□
Wear plates at the front	□	□	□
Wear plates on the dome	□	□	□

■ Standard □ Option – Not available

- Sand and aggregate

Environmentally friendly and powerful

- Robust, compact 3-cylinder common-rail diesel engine from Deutz
- DVERT® particle filter system (DPF) enables maintenance-free operation in all possible applications and ambient conditions
- TRGS 554 conformity enables machine operation in (partially) enclosed areas
- Machine performance management enables fuel savings of up to 20% by adjusting the motor speed



Robust and clearly laid out operating panel

- Intuitive keypad with “follow the blue light” principle increases operating safety
- All relevant functions are easy to switch on or off – even when wearing work gloves
- Coloured status LEDs on every keypad button provide continuous feedback on current operating states
- Resistant against all usually encountered weather conditions, fluids and chemicals
- Pressure gauge makes it possible to read the mixer and delivery pressure



Machine display with extended range of functions

- Display unit with operating elements in the control box under the hood
- Setting values are saved after the machine is switched off
- Mix counter makes it possible to draw conclusions about the daily performance
- Service menu with comprehensive information enables quick diagnosis in case of faults and reduced downtime
- Reminder display for next due service



Robust and durable

- Hydraulic mixer with reverse rotation and overload protection
- Hood made from special plastic in line with highest production standards with excellent robustness and resilience
- Durability and quality “Made in Germany” guarantee a high resale value



Technical data	M 760 DH	M 760 DHB	M 760 DHBS
Part no.	111 675.1XX	111 675.2XX	111 675.3XX
Mixing vessel	260 l, 200 l useful capacity	260 l, 200 l useful capacity	260 l, 200 l useful capacity
Delivery rate (theor.)*	4 m³/h	4.8 m³/h	5 m³/h
Delivery pressure (max.)	8 bar	8 bar	8 bar
Delivery range*	190 m horizontal/135 m vertical (approx. 45 storeys)		
Compressor	4.8 m³/min; cut-off pressure 8 bar		
Engine	3-cylinder Deutz Diesel with turbocharging, 44.5 kW (Stage V)		
Weight (fully refuelled)	1715 kg	1840 kg	1900 kg
Tank capacity	70 l	70 l	70 l
Length × width × height	4780 × 1480 × 1520 mm	5075 × 1480 × 2431 mm	5075 × 1480 × 2431 mm
Filling height	820 mm	400 mm	400 mm
Maximum particle size	16 mm	16 mm	16 mm
Chassis	Braked, approved for speeds up to 80 km/h		
Special feature	Basic version	With hydraulic feeder	With hydraulic feeder and scraper
Sound level L _{WA} /L _{PA}	104 dB/>85 dB(A)	104 dB/>85 dB(A)	104 dB/>85 dB(A)

* The data is based on experience and depends on the materials used.

Mixokret M 760 – Non-EU

The powerful machine for big tasks

Machine operation only permitted outside the EU!

Semi-dry floor screed

- Cement screed
- Calcium sulphate screed (anhydrite)
- Magnesia screed



Feeder
for more efficient operation

Scraper blade
for easier filling

Operating panel
for clear and user-friendly operation

Hydraulically powered mixer
flexible and low-maintenance

4-cylinder motor
for maximum power

Equipment	DH	DHB	DHBS
Car coupling	■	■	■
Central lubrication system with filling pump	■	■	■
Discharge stand	■	■	■
Hand lever press with hose	■	■	■
Instruction manual and spare parts list	■	■	■
Lifting eye	■	■	■
Reservoir gauge in control panel	■	■	■
Working lights	■	■	■
24 V light holder	□	□	□
Conversion to 100 km/h	□	□	□
Exhaust flap	□	□	□
High-pressure cleaner	□	□	□
Location system	□	□	□
Mixing time adjustment	□	□	□
Protective plate for feeder	-	□	□
Special canopy paint in RAL colours/customer labelling	□	□	□
Support feet	-	□	□
Truck coupling	□	□	□
Water metering	□	□	□
Wear plates (Hardox, 6 mm)	□	□	□
Wear plates (Hardox, 8 mm)	□	□	□
Wear plates at the front	□	□	□
Wear plates on the dome	□	□	□

■ Standard □ Option – Not available

Special applications

- Sand and aggregate

Powerful

- Oil-cooled 4-cylinder Deutz diesel engine with efficient compressor for maximum pump output and reserve power for more challenging jobs
- Optimised compressor for consistent pumping characteristics, constant material flow and reduced impacts in the hose lines
- Flexible, low-maintenance hydraulic mixer drive



Additional equipment that make work easier

- Air valve fitting, instruments and important indicators within view and easy reach
- Robust main switch (on/off, EMERGENCY STOP, pressure gauge) not covered
- Other instruments and displays protected safely under cover
- With the polystyrene kit, the compressed-air conveyors can be converted from traditional cement screed to polystyrene in just a few steps



Effective cooling system

- Innovative exhaust air system and additional exhaust air shaft for improved cooling capacity and greater user-friendliness
- Effective cooling of interior, compressor and motor reduces heat build-up



Modern, practical design

- Stronger hood shape and design for better value retention
- Reinforced, hot-dip galvanised hopper for greater robustness and durability
- Optimised maintenance and service features due to good accessibility
- Hydraulic feeder and scraper with improved radio system



Technical data	M 760 DH	M 760 DHB	M 760 DHBS
Part no.	111 646.1XX	111 646.2XX	111 646.3XX
Mixing vessel	260 l, 200 l useful capacity	260 l, 200 l useful capacity	260 l, 200 l useful capacity
Delivery rate (theor.)*	4 m³/h	4.8 m³/h	5 m³/h
Delivery pressure (max.)	8 bar	8 bar	8 bar
Delivery range*	200 m horizontal/150 m vertical (approx. 50 storeys)		
Compressor	5.0 m³/min; cut-off pressure 8 bar	5.0 m³/min; cut-off pressure 8 bar	5.0 m³/min; cut-off pressure 8 bar
Engine	4-cylinder Deutz Diesel, 46 kW at 2600 rpm (emission stage III A)		
Weight (fully refuelled)	1720 kg	1826 kg	1900 kg
Tank capacity	60 l	60 l	60 l
Length × width × height	4780 × 1480 × 1520 mm	5075 × 1480 × 2431 mm	5075 × 1480 × 2431 mm
Filling height	820 mm	400 mm	400 mm
Maximum particle size	16 mm	16 mm	16 mm
Chassis	Braked, approved for speeds up to 80 km/h		
Special feature	Basic version	With hydraulic feeder	With hydraulic feeder and scraper
Sound level L _{WA} /L _{PA}	104 dB / >85 dB(A)	104 dB / >85 dB(A)	104 dB / >85 dB(A)

* The data is based on experience and depends on the materials used.

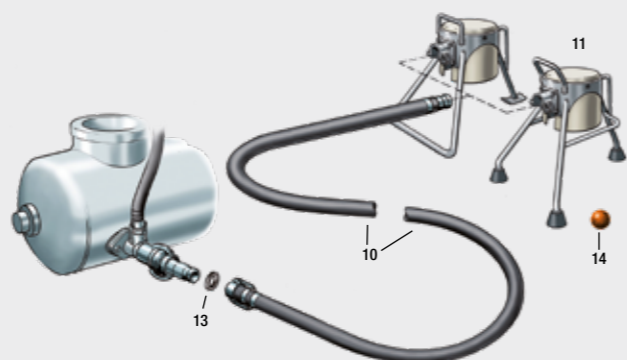
Mixokret accessories

Standard delivery line for Mixokret PM 50/ID 50 mm (max. grain size 8 mm*)



Complete set, part no. 533 089
 ≈ 40 m long, consisting of:

Part	Part no.	Fig.
2× ID 50 mm hose, 10 bar, 20 m length	501 915	10
1× Discharge stand, 3 legs, aluminium ID 50	529 743	11
2× O-ring	010 207.000	13
6× Sponge ball, Ø 60 mm for delivery hose ID 50	000 212.005	14
1× Reducer piece ID 65, KKV 70 / ID 50	071 790.006	
2× Rectangular gasket	213 266.000	

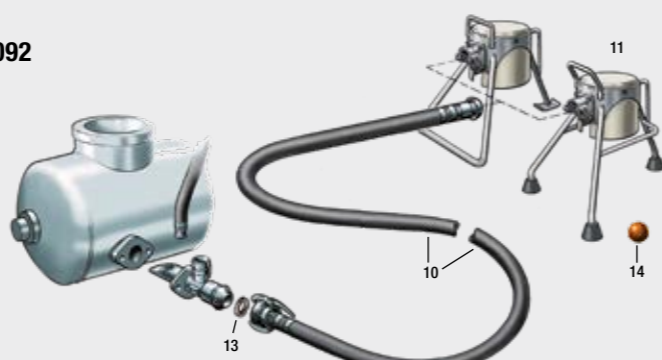


Delivery line KK 70 for Mixokret ID 65 mm (grain size of up to 12 mm*)



Complete set, part no. 533 092
 ≈ 80 m long, consisting of:

Part	Part no.	Fig.
8× ID 65 mm KK 70 hose, 10 bar, 10 m length	456 831	10
1× Discharge stand, 3 legs, aluminium KK 70	529 744	11
8× O-ring	010 207.000	13
8× Sponge ball, Ø 80 mm for delivery hose ID 65	000 246.000	14



Delivery line KK 89 for Mixokret ID 65 mm (grain size of up to 12 mm*)



Complete set, part no. 533 093
 ≈ 80 m long, consisting of:

Part	Part no.	Fig.
8× ID 65, KK 89 / HR hose, 10 bar, 10 m length	443 675	9
1× KKV 89 coupling	209 205.004	10
1× Discharge stand, 3 legs, aluminium KK 89	529 745	11
8× O-ring	002 224.004	13
8× Sponge ball, Ø 80 mm for delivery hose ID 65	000 246.000	14

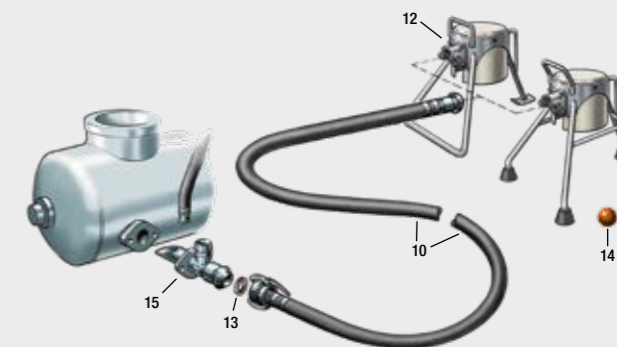


Delivery line KK 89 for Mixokret ID 90 mm (grain size of up to 16 mm*)



Complete set, part no. 533 095
 ≈ 80 m long, consisting of:

Part	Part no.	Fig.
8× ID 90 mm KK 89 hose, 10 bar, 10 m length	455 436	10
1× Discharge stand, with runner, steel KK 89	529 748	12
8× O-ring	002 224.004	13
8× Sponge ball, Ø 120 mm for delivery hose ID 90	016 091.003	14
1× Special outlet cpl. ID 90, KKV 89	073 640.002	15

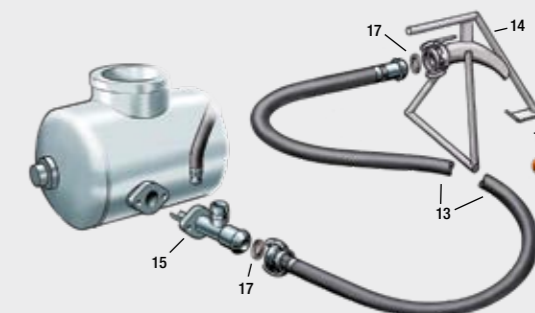


Delivery line KK 108 for Mixokret ID 90 mm (grain size of < 32 mm*)



Complete set, part no. 533 096
 ≈ 80 m long, consisting of:

Part	Part no.	Fig.
8× ID 90 mm KK 108 hose, 10 bar, 10 m length	454 406	13
1× Discharge stand, with runner, steel KK 108	209 811.003	14
1× Special outlet cpl. ID 90, KKV 108	419 634	15
8× Sponge ball, Ø 120 mm for delivery hose ID 90	016 091.003	16
8× O-ring	210 580.006	17



* Depending on the material to be conveyed.



S 5 EF

The compact, electric liquid screed pump

Vibrator with vibrating screen
for constant material flow



- Cement floor screed
- Calcium sulphate screed (anhydrite)

Self levelling floor screed



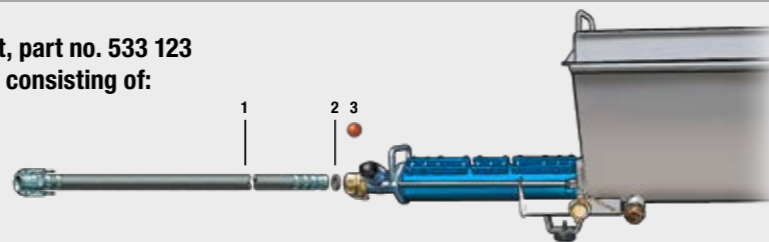
Large hopper
for large amount
of material, easy
to clean

Cardan shaft plugged
for quick change of worm parts

Equipment	S 5 EF
Adapter V 50-M35	■
Cleaning accessories	■
Hand lever press with hose	■
Instruction manual and spare parts list	■
Screen grille	■
Seal ring for mortar coupling	■
Standard tools	■
Cable remote control, 20 m, with emergency stop	□
Cable remote control, 60 m, with emergency stop	□

Accessories for processing self levelling floor screed with S 5 EF

Complete set, part no. 533 123
≈ 40 m long, consisting of:



Part	Part no.	Fig.	Optional accessories	Part no.
3× Delivery hose ID 50, V 50, M 50 13.3 m	501 914	1	1× PM grout, 18 l storage tank, 25 pcs	266 743.004
5× Sponge ball, Ø 60 mm	000 212.005	3		
5× Seal ring ID 50	213 266.000	2		

■ Standard □ Option – Not available

Worm pump with powerful 7.5 kW drive

- Electrically powered worm pump with powerful constant drive
- Ideal for larger quantities of material such as required to convey self levelling floor screed



Robust and economical

- Frame and hopper manufactured from robust steel components
- Hinged protective grille provides ample access for maintenance and cleaning
- Plug-in Cardan shaft enables the quick replacement of auger components without using tools
- Construction site chassis with pneumatic tyres



User-friendly concept

- Easily detachable vibrating screen prevents material with an excessive grain size and foreign bodies from entering the pump
- Central position of all operating elements and control box with 32 A connection



Equipment for conveying self levelling floor screed is provided on board

- Machine operated from the installation location using cable remote control supplied as standard
- Large 130 l hopper for rapid filling from truck mixer
- Vibrator ensures a continuous supply of material
- Mixing spirals on the Cardan shaft increase the homogeneity of the conveyed material



Technical data	S 5 EF
Part no.	111 635.090
Feed hopper	130 l
Pump	Worm pump 2L74
Delivery rate (theor.)*	90 l/min.
Delivery pressure (max.)	25 bar
Delivery range**	Up to 60 m horizontal, 40 m vertical
Engine	Electric, 7.5 kW, 400 V/50 Hz
Connection	32 A CEE; max. 100 m; min. 4 mm ²
Fuse	25 A
Weight	260 kg
Length × width × height	2610 × 680 × 770 mm
Filling height	770 mm
Maximum particle size	8 mm
Pressure connection	M 50
Sound level L _{WA} /L _{PA}	89 dB / <85 dB(A)

* The delivery rate depends on the pump model. The delivery rate can vary in accordance with the pump used.

** The data is based on experience and depends on the materials used.



SP 11 THF – Stage V

Economic, simple, lightweight



- Calcium sulphate screed (anhydrite)
- Cement floor screed



Self levelling floor screed

Equipment	SP 11 THF
Car cable adapter	■
Car coupling	■
Cleaning accessories	■
Grease cartridge	■
Hand lever press with hose	■
High-pressure cleaner	■
Instruction manual and spare parts list	■
Screen grille, 15 mm wide (angled rods)	■
Seal ring for mortar coupling	■
Standard tools	■
Radio remote control (with adjustable delivery rate)	□
Screen grille, 10 mm mesh opening (mesh screen)	□
Special canopy paint in RAL colours	□
Support wheel	□
Truck coupling	□
Working lights	□

See page 48 in the catalogue for a list of suggested accessories.

■ Standard □ Option – Not available

Specialist for self levelling floor screed applications

- Continuous, convenient processing of self levelling floor screed
- Infinitely adjustable delivery rate using hydraulic pump control
- Unbraked and weighs less than 750 kg (no additional driving licence required) for simple transport



Efficient diesel engine

- Mechanical 3-cylinder diesel engine from Kubota complies with the “Stage V” emissions standard
- Low operating and maintenance costs thanks to the engine’s efficiency and maintainability



Large hopper for efficient operation

- Optimised grille and enhanced vibrator prevent material with an excessive grain size and foreign bodies from entering the pump and guarantee a continuous material flow, even when conveying screeds containing plastic or metal fibres
- Ideal for loading with truck mixer in self levelling floor screed applications
- Infinitely adjustable delivery rate



User-friendly concept

- Simple machine operation directly on the operating panel or via radio remote control
- Good accessibility and integrated high-pressure cleaner for easy servicing, maintenance and cleaning
- Modern easy-care design with robust plastic hood



Technical data

Technical data	SP 11 THF – Stage V
Part no.	111 626.700
Feed hopper	220 l
Pump	Worm pump 2L75
Delivery rate (theor.)*	0–15 m³/h (250 l/min)
Delivery pressure (max.)	20 bar
Delivery range**	Up to 80 m horizontal, 40 m vertical
Engine	3-cylinder Kubota Diesel, 18.5 kW at 3000 rpm (Stage V)
Weight	750 kg (max. axle load)
Length × width × height	3260 × 1420 × 1160 mm
Filling height	1000 mm
Maximum particle size	8 mm
Chassis	Unbraked, suitable for road use
Sound level L _{WA} /L _{PA}	104 dB / <85 dB(A)

* The delivery rate depends on the pump model. The delivery rate can vary in accordance with the pump used.

** The data is based on experience and depends on the materials used.

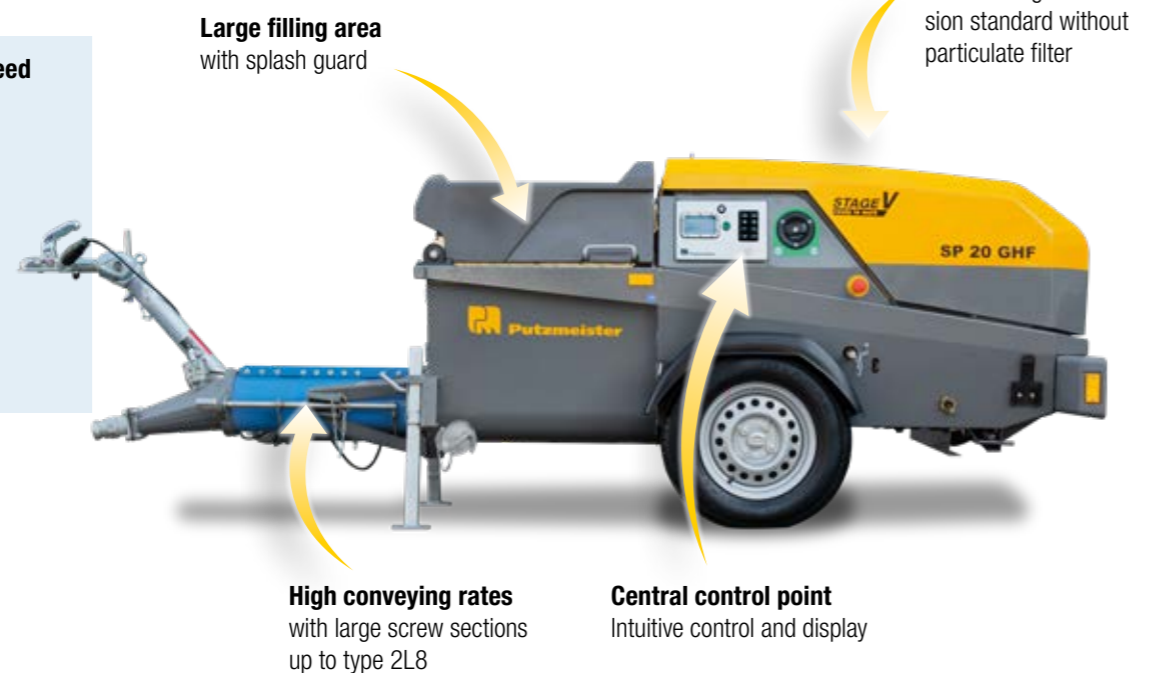


SP 20 GHF – Stage V

light and compact, for large liquid screed quantities

- Calcium sulphate screed (anhydrite)
- Cement floor screed

Self levelling floor screed



Equipment	SP 20 GHF
Instruction manual and spare parts list	■
Chassis unbraked	■
Grease gun with hose	■
Radio remote control (with 7-stage delivery rate adjustment)	■
Horn (automatically signals pump stop)	■
Car cable adapter	■
Crane eye	■
Car coupling	■
Cleaning accessories	■
Vibration sieve with 15 mm width (angle profile bars)	■
Vibrator "ICC"	■
Quick-change system for auger parts	■
Support feet	■
Chassis with brakes and support wheel	■
High pressure cleaner	□
Battery charger for radio remote control, integrated	□
Truck coupling	□
Vibrating sieve with 15mm mesh (grid)	□
Special painting of bonnet in RAL colour	□

■ Standard □ Option – Not available

Meets the high demands on the construction site

- Robust construction for maximum durability
- Large feed hopper with 160 l volume and feed rates up to 20 m³/h
- Powerful vibrator optimises material flow through the screen
- Low filling height simplifies final cleaning and feeding through the truck mixer



Environmentally friendly and powerful

- Powerful 37 kW petrol engine
- Meets all requirements of the "Stage V" exhaust gas stage, which means that the pump can also be operated in all EU countries and Switzerland in the future without any problems.
- Large 45 l tank enables long operating times



Robust and clear control panel

- Intuitive keypad with "follow the blue light" principle
- Easy operation of all relevant functions - even when wearing work gloves
- Display unit with clear presentation of all information, protected by scratch-resistant, replaceable special glass



High flexibility

- Radio remote control enables adjustment of the delivery rate and switching the motor on and off
- Crane eye for easy and safe moving of the machine by crane
- Low weight (< 750 kg) enables transport without a trailer driving licence



Technical data	SP 20 GHF
Part no.	111 677.200
Feed hopper	160 l
Pump	Worm pump 2L8
Delivery rate (theor.)*	20 m ³ /h
Delivery pressure (max.)	20 bar
Delivery range**	150 – 200 m
Engine	4 cylinder Kubota; 37 kW at 3600 rpm (Stage V)
Weight	< 750 kg
Tank capacity	45 l
Length × width × height	3317 × 1530 × 1180 mm
Filling height	1180 mm
Maximum particle size	8 mm
Chassis	Unbraked, suitable for road use

* The delivery rate depends on the pump model. The delivery rate can vary in accordance with the pump used.

** The data is based on experience and depends on the materials used.



SP 25 DHF – Stage V

Robust and powerful, for large volumes of self levelling floor screed

Large filling area
with slewable spray
guard

Robust design
with durable plastic
cover according to the
highest quality standard



High delivery rates
with large worm parts up
to type 2L8

Central operating position
with intuitive keypad and clearly
laid out display

**Powerful 37 kW
diesel engine with
particle filter**
complies with
“Stage V” emissions
standard

- Calcium sulphate screed (anhydrite)
- Cement floor screed



Self levelling floor screed

Meets the highest requirements on construction sites

- Robust design for maximum durability – tried-and-tested in site use and on the test track
- Large feed hopper with a volume of 250 l, a larger filling area and a slewable spray guard
- Powerful vibrator optimises the material flow through the screen
- Low filling height facilitates final cleaning and loading by the truck mixer



Environmentally friendly and powerful

- Powerful turbocharged diesel engine with 37 kW of drive power and a diesel particle filter
- Meets all requirements of the “Stage V” emissions level, meaning the pump can be operated in all EU countries and Switzerland now and in future without issues
- TRGS 554 conformity enables machine operation in (partially) enclosed areas



Robust and clearly laid out operating panel

- Intuitive keypad with “follow the blue light” principle increases operating safety
- Simple operation of all relevant functions – even when wearing work gloves
- Display unit with clear layout of all information, protected by scratch-resistant, replaceable special glass
- Entire operating panel protected by folding cover



High flexibility

- Radio remote control makes it possible to adjust the delivery rate and switch the motor on and off
- Storage compartment for radio and charger underneath the hood
- Lifting eye additionally enables the easy and safe transfer of the machine by crane
- Support feet attached to both sides of the material hopper ensure stability on the construction site



Equipment	SP 25 DHF
Car coupling	■
Hand lever press with hose	■
Instruction manual and spare parts list	■
Lifting eye	■
Radio remote control with delivery rate adjustment + engine on/off	■
Screen grille with 15 mm mesh width (grille)	■
Support feet	■
Support wheel	■
Toolbox	■
Vibrator	■
High-pressure cleaner	□
Screw conveyor parts 2L8	□
Special canopy paint in RAL colours	□
Truck coupling	□
Working lights	□

■ Standard □ Option – Not available

Technical data	SP 25 DHF
Part no.	111 674.200
Feed hopper	250 l
Pump	Worm pump 7515 Premium
Delivery rate (theor.)*	20 m³/h
Delivery pressure (max.)	35 bar
Delivery range**	150–200 m
Engine	3-cylinder Kubota, 37 kW at 2700 rpm (Stage V)
Weight	1050 kg (maximum axle load)
Tank capacity	40 l
Length × width × height	4280 × 1410 × 1300 mm
Filling height	730 mm
Maximum particle size	8 mm
Chassis	Braked, approved for road use
Sound level L_{WA}/L_{pA}	104 dB / >85 dB(A)

* The delivery rate depends on the pump model. The delivery rate can vary in accordance with the pump used.

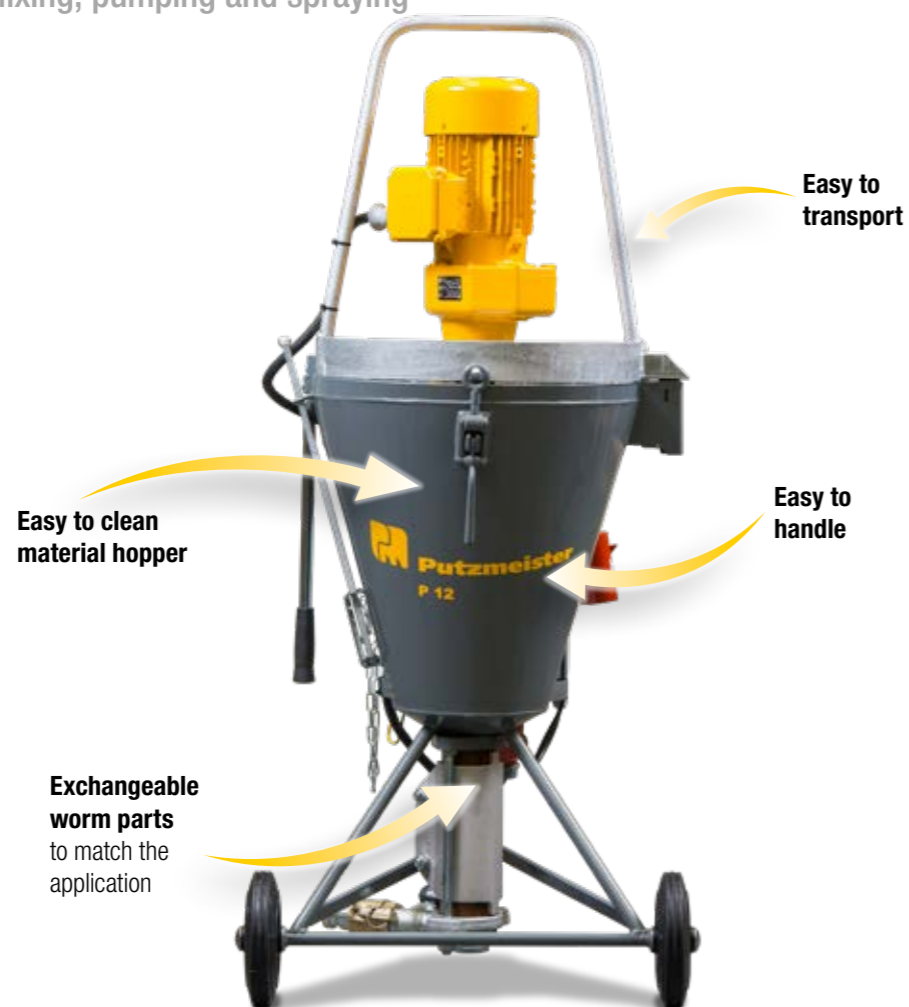
** The data is based on experience and depends on the materials used.

See page 48 in the catalogue for a list of suggested accessories.



P 12

Mixing, pumping and spraying



Plaster/Fine plaster

- Cementitious adhesive and reinforcement mortar
- Spray plaster
- Textured plaster
- Fine plaster
- Levelling compound



Exchangeable worm parts to match the application

Equipment	P 12
Cable remote control (20 m)	■
Cleaning accessories	■
Instruction manual and spare parts list	■
Seal ring for mortar coupling	■
Standard tools	■
Water connection (Geka V25-40)	■
Auxiliary compressor	□
Pneumatic remote control	□

Special applications

- Fire protection mortar
- Wet mortar
- ETICS
- Joint and frame mortar with requirements for high mixing quality
- Injection and anchor mortar (pressurised or unpressurised)

■ Standard □ Option – Not available

Large hopper

- Mixing, pumping and spraying from a single material hopper
- Good accessibility and therefore easy to clean and maintain



User-friendly design

- Lightweight, compact and therefore easy to transport
- Central control box for entire electrical system is easy to access at all times
- Pressure connection with pressure gauge for connecting mortar hoses



Convenient operation

- Two engine speed settings
- "Mix" or "Pump" function selected using the rotary switch
- Cable remote control for switching pump on/off supplied as standard



Practical accessories for a range of applications

- Optional alternative rotors and stators for adapting to the required pressure, particle size, pumping distance and output
- Frame filling hose or device for sealing and filling openings and voids



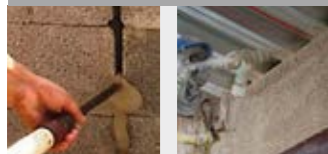
Technical data	P 12
Part no.	111 469.060
Mixing vessel	50 l
Delivery rate (theor.)*	6–12 l/min
Delivery pressure	25 bar
Delivery range**	Up to 30 m horizontal, 15 m vertical
Pump	Worm pump D5 short
Engine	1.4 kW at 94 rpm / 1.8 kW at 188 rpm (400 V/50 Hz + 60 Hz)
Fuse	16 A
Connection	16 A CEE plug
Weight	125 kg
Length × width × height	714 × 696 × 1437 mm
Filling height	939 mm
Pressure connection	M 35
Maximum particle size	4 mm
Sound level L_{WA}/L_{pA}	89 dB / <85 dB(A)

* The delivery rate depends on the pump model. The delivery rate can vary in accordance with the pump used.

** The data is based on experience and depends on the materials used.

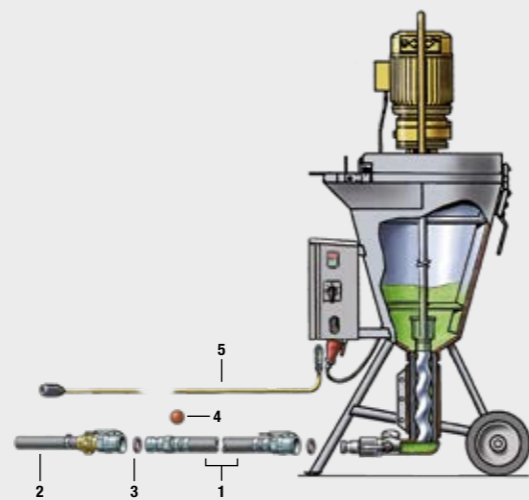
Accessories P 12

Accessories for filling frame connectors with fire-retardant plaster and a filling hose

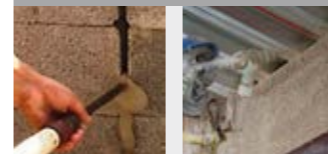


Complete set, part no. 533 080
 ≈ 20 m long, consisting of:

Part	Part no.	Fig.
2× Mortar hose ID 25, 10 m	207 804.009	1
1× Frame connector filling hose, 30 cm, M25-40	408 373	2
3× Seal ID 25	207 764.000	3
3× Sponge ball Ø 30 mm	000 239.004	4
1× Electric remote control with On/Off switch 20 m	269 446.007	5
3× Hose holder, leather	000 206.008	
Optional accessories		
1× PM grout, 18 l storage tank, 25 pcs	266 743.004	

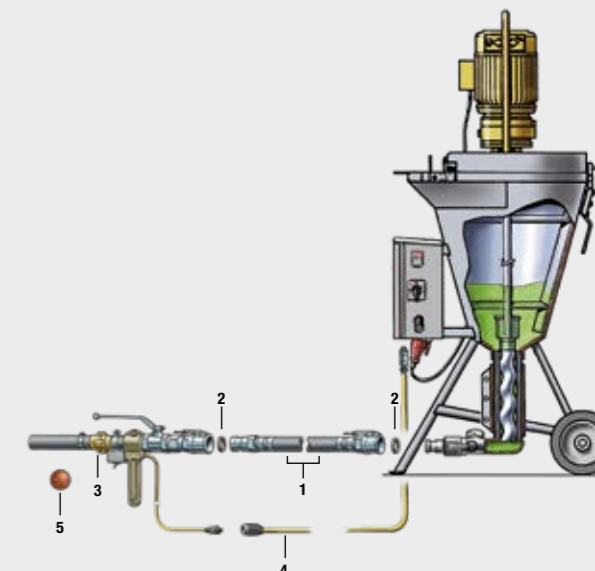


Accessories for filling frame connectors with fire-retardant plaster and a frame filling device



Complete set, part no. 533 081
 ≈ 20 m long, consisting of:

Part	Part no.	Fig.
2× Mortar hose ID 25, 10 m	207 804.009	1
3× Seal ID 25	207 764.000	2
1× Frame connector filling device with remote control	214 236.000	3
1× Remote control extension cable, 20 m	211 506.005	4
3× Sponge ball Ø 30 mm	000 239.004	5
3× Hose holder, leather	000 206.008	
Optional accessories		
1× PM grout, 18 l storage tank, 25 pcs	266 743.004	

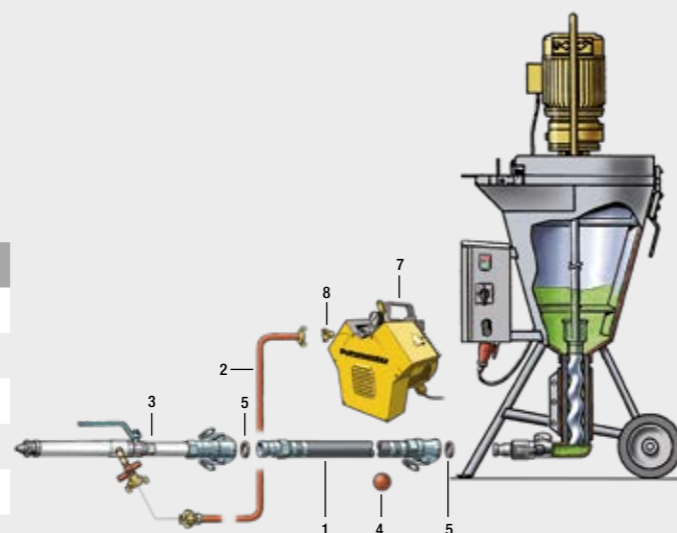


Accessories for processing finishing coats



Complete set, part no. 533 083
 ≈ 20 m long, consisting of:

Part	Part no.	Fig.
2× Mortar hose ID 25, 10 m	207 804.009	1
1× Air hose, 1/2", 20 m	001 665.004	2
1× Fine plaster spray gun, large	529 733	3
3× Sponge ball Ø 30 mm	000 239.004	4
3× Seal ID 25	207 764.000	5
1× V-Meko compressor with fuse	400 168	7
1× Geka coupling, 1/4"	207 969.009	8
3× Hose holder, leather	000 206.008	
Optional accessories		
1× PM grout, 18 l storage tank, 25 pcs	266 743.004	

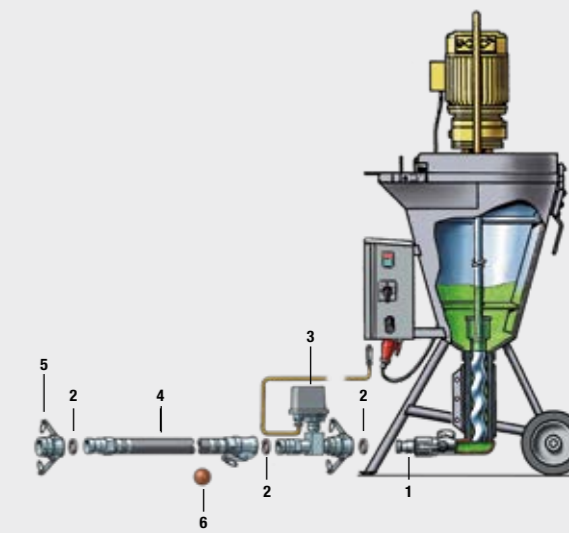


Accessories for filling anchor elements



Complete set, part no. 533 085
 ≈ 20 m long, consisting of:

Part	Part no.	Fig.
1× Adapter, V 35/V 25-40	207 795.008	1
3× Seal ID 25	207 764.000	2
1× Pressure monitor, 2-32 bar	523 102	3
2× Mortar hose, ID 25-40, 10 m	207 804.009	4
1× PM coupling, M25-40/RI 1'	211 597.001	5
1× Pressure test gauge, ID 25-40	208 745.002	
3× Sponge ball Ø 30 mm	000 239.004	6
3× Hose holder, leather	000 206.008	
Optional accessories		
1× PM grout, 18 l storage tank, 25 pcs	266 743.004	





MP 25

Maximum efficiency for processing premixed dry mortar

Can be separated into convenient assemblies without tools, now also with fork-lift truck pocket, lifting eyes and handles for easy and safe transport

Conical mixing pipe for optimum material flow

Large hopper with bag opener

Integrated water pump for consistent water supply

Everything in view – convenient operation from one side

Compressor with pressure cut-out – increases safety while working

Exchangeable worm parts to match the application

New reinforced frame with screw-in aid for worm parts and toolbox



- Self levelling compound
- Calcium sulphate screed

Self levelling floor screed



- Exterior plaster (lime, lime cement and insulating plaster)
- Interior plaster (gypsum/gypsum-lime plaster)

Plaster/Fine plaster



- Self levelling compound
- ETICS

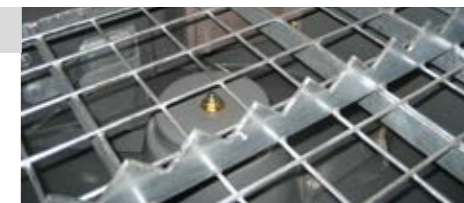
Special applications

Equipment	MP 25	MP 25 Non-EU
Accessories ID 25	■	–
Accessories ID 35	–	■
Air hose (16 m)	■	■
Cleaning accessories	■	■
Compressor	■	■
Fork-lift truck pocket	■	■
Instruction manual and spare parts list	■	■
Lifting eye and handles	■	■
Mortar hose ID 25 (15 m)	■	–
Mortar hose ID 35 (13.3 m)	–	■
Screw-in aid for worm parts	■	■
Spray gun ID 25	■	–
Spray gun ID 35	–	■
Suction hose with filter	–	■
Toolbox	■	■
Water pump (self-priming)	■	■
Air injection hood	□	□
Cable remote control + extension	□	□
Insulating plaster attachment	□	□

■ Standard □ Option – Not available

Large mixing vessel (115 l)

- Saves time because less material has to be refilled
- Less washing out required
- Convenient to fill



Conical mixing pipe

- Conical mixing pipe for optimised material flow, fewer blockages, easy to clean
- Mixing pipe separated from mixer drum to allow easier metering
- Integrated water pressure booster pump provides the necessary water pressure and quantity to achieve the right mixing quality



Convenient design

- Can be dismantled into manageable assemblies without using tools and then transported easily
- Easy access to the flow meter
- Wedge closures that secure the stator eliminate the need for special tools to perform maintenance work and replace components



Added value for the construction site

- Integrated compressor with automatic pressure cut-out guarantees a safer working environment
- Convenient adjustment of water metering quantity
- Compressed-air remote control for convenient operation, irrespective of your current set-up site
- Extensive range of accessories for special customer-specific applications



Technical data	MP 25	MP 25 Non-EU
Part no.	111 417.500	111 417.510
Mixing vessel	115 l	115 l
Delivery rate (theor.)*	25 l/min	40 l/min
Delivery pressure	40 bar	20 bar
Delivery range**	Up to 40 m horizontal, 15 m vertical	Up to 30 m horizontal, 15 m vertical
Air compressor	0.9 kW, 250 l/min	0.9 kW, 250 l/min
Pump	Worm pump D6-3	Worm pump D5 short
Engine	5.5 kW at 385 rpm, 400 V/50 Hz	5.5 kW at 385 rpm, 400 V/50 Hz
Fuse	25 A	25 A
Connection	32 A CEE; max. 100 m; min. 4 mm ²	32 A CEE; max. 100 m; min. 4 mm ²
Drum drive	1.1 kW at 24 rpm	1.1 kW at 24 rpm
Water pump	0.37 kW at 3.6 m ³ /h	0.37 kW at 3.6 m ³ /h
Weight	273 kg	273 kg
Length × width × height	1344 × 728 × 1484 mm	1344 × 728 × 1484 mm
Filling height	984 mm	984 mm
Pressure connection	M35/V 25–40	M35/V 25–40
Maximum particle size	4 mm	4 mm
Special feature	Hose ID 25 for high-quality materials	Hose ID 35 for low-quality materials
Sound level L _{WA} /L _{PA}	89 dB / <85 dB(A)	89 dB / <85 dB(A)

* The delivery rate depends on the pump model.
The delivery rate can vary in accordance with the pump used.
** The data is based on experience and depends on the materials used.

Special voltages are available on request.

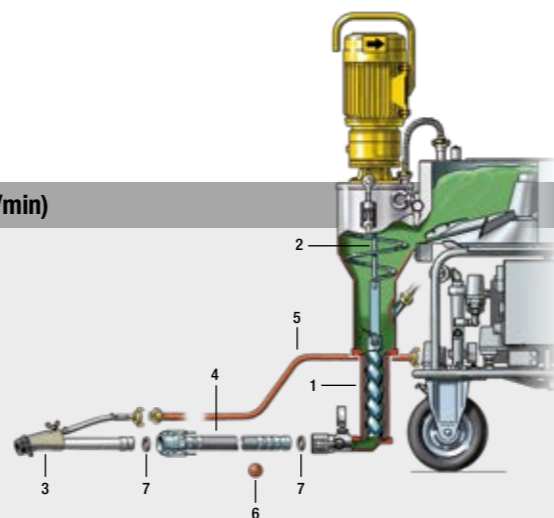
Accessories MP 25

Accessories for processing premixed dry mortar (impressive power of 40 l/min)



Complete set, part no. 533 072
≈ 30 m long, consisting of:

Part	Part no.	Fig.
1× Pump parts		
- Screw conveyor D8-2	435 743	1
- Screw conveyor barrel D8-2	436 746	1
1× Universal mixer shaft MP 25	211 773.003	2
1× Spray gun, short and straight, V 35	203 054.002	3
2× Mortar hose ID 35, 13.3 m long	207 615.007	4
2× Air hose, ½", 20 m	001 665.004	5



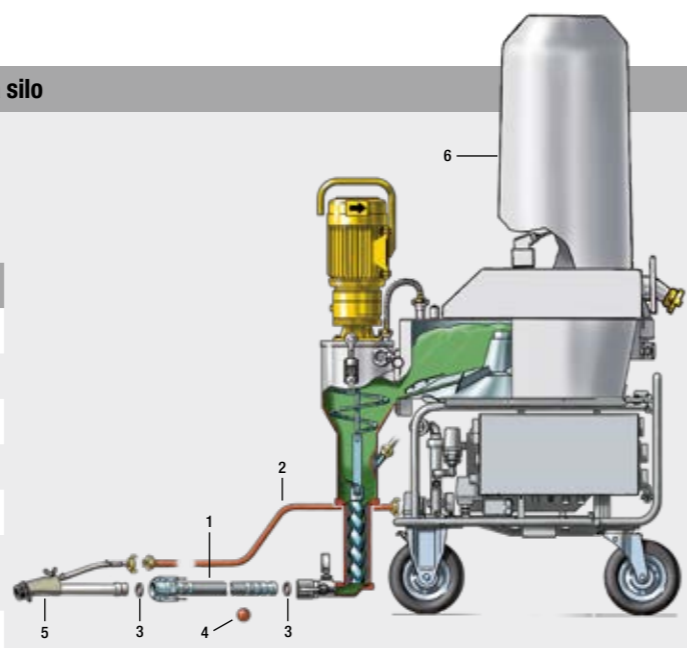
Part	Part no.	Fig.
10× Sponge ball Ø 45 mm	065 044.001	6
10× Seal ID 35	213 725.004	7
3× Hose holder, leather	000 206.008	

Accessories for the processing of premixed dry mortar from a silo



Complete set, part no. 533 078
≈ 30 m long, consisting of:

Part	Part no.	Abb.
2× Mortar hose ID 35, 13.3 m long	207 615.007	1
2× Air hose, ½", 20 m	001 665.004	2
10× Seal ID 35	213 725.004	3
10× Sponge ball Ø 45 mm	065 044.001	4
1× Spray gun, short and straight V 35	203 054.002	5
1× Feed hood with remote control cable Probe, rectangular	212 324.008	6
3× Hose holder, leather	000 206.008	

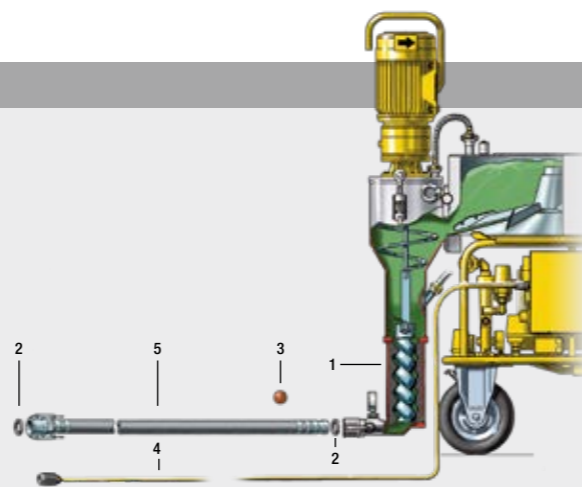


Accessories for processing self levelling floor screed



For a delivery range of 40 m, you will require:

Part	Part no.	Fig.
1× Pump parts		
- Screw conveyor D8-2	435 743	1
- Screw conveyor barrel D8-2	436 746	1
10× Seal ID 35	213 725.004	2
10× Sponge ball Ø 45 mm	065 044.001	3
1× Electric remote control with on/off switch, 60 m long	269 447.006	4
3× Mortar hose ID 35, 13.3 m long	207 615.007	5



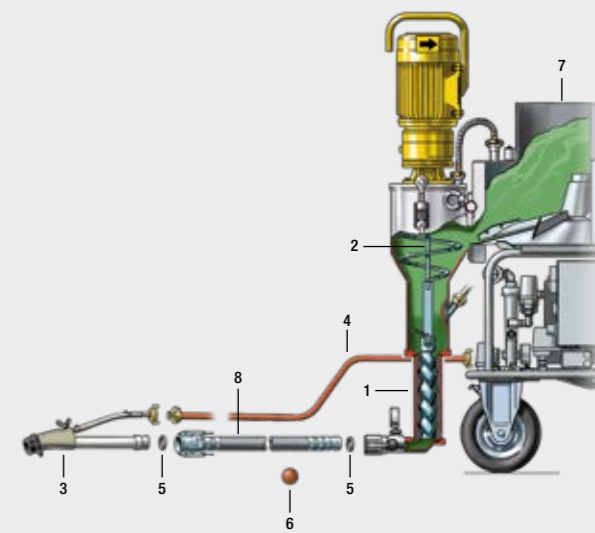
Optional accessories	Part no.	Fig.
1× PM grout, 18 l storage tank, 25 pcs	266 743.004	

Accessories for processing insulating plaster (impressive power of 40 l/min)



Complete set, part no. 533 074
≈ 40 m long, consisting of:

Part	Part no.	Fig.
1× Pump parts		
- Screw conveyor D8-2	435 743	1
- Screw conveyor barrel D8-2	436 746	1
1× Mixer shaft for insulating plaster MP 25	212 262.005	2
1× Spray gun, with shut-off valve ID 35	209 174.009	3
3× Mortar hose ID 35, 13.3 m	207 615.007	8
2× Air hose, ½", 20 m	001 665.004	4
10× Sponge ball Ø 45 mm	065 044.001	6
10× Seal ID 35	213 725.004	5
3× Hose holder, leather	000 206.008	
1× Attachment collar for insulating plaster MP 25	212 325 007	7

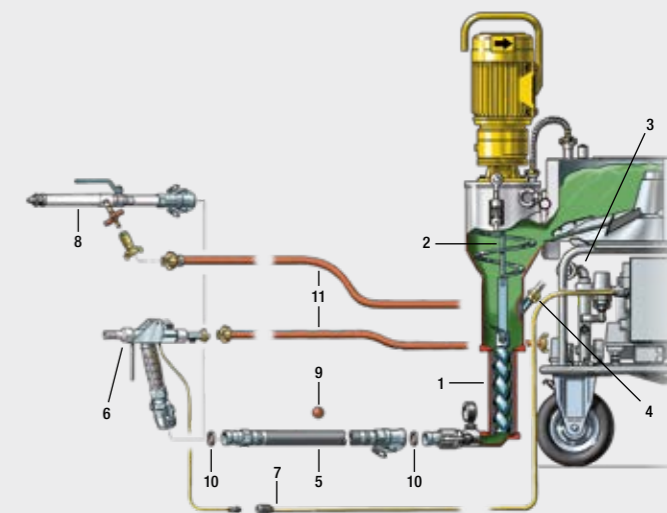


Accessories for processing cementitious adhesive, reinforcement mortar, structural plaster (low performance 12 or 6 l/min)



Complete set, part no. 533 073
≈ 20 m long, consisting of:

Part	Part no.	Fig.
1× Pump parts		
- Screw conveyor D4-½	214 402.009	1
- Screw conveyor barrel D4-½	214 403.008	1
1× Cementitious adhesive mixer shaft	214 571.008	2
1× Flow meter with range of 40-400 l/min	208 025.007	3
1× Insertion nozzle, diameter of 4.5 × 55 mm	400 728	4
2× Mortar hose ID 25-40, 10 m	207 804.009	5
1× Large fine plaster spraying machine with PM coupling and Geka air connection	529 733	8
1× Air hose, ½", 20 m	001 665.004	11
5× Sponge ball Ø 30 mm	000 239.004	9
5× Seal ID 25	207 764.000	10
3× Hose holder, leather	000 206.008	

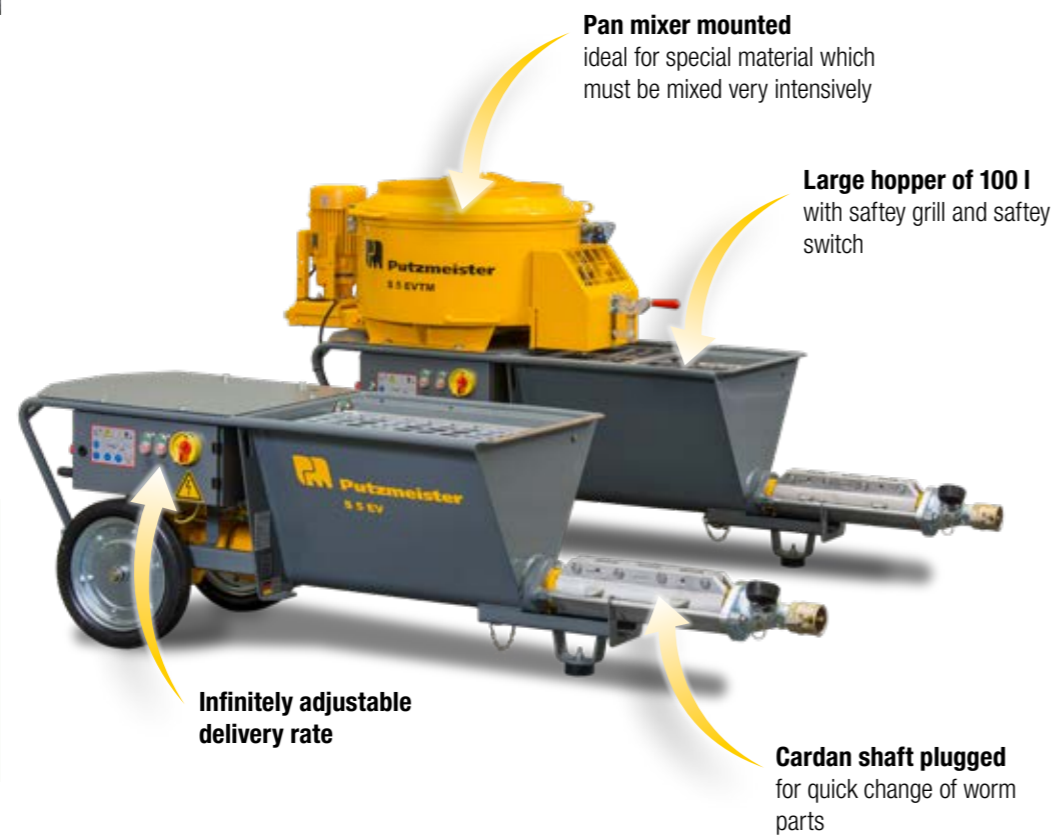


Part	Part no.	Fig.
1× Adhesive gun ID 17 / M 25-40 with shut-off valve and electrical connector for remote control	408 422	6
1× Extension cable 20 m	211 506.005	7



S 5 EV/EVTM

Universal worm pump for standard and special applications



Plaster/Fine plaster

- **Exterior plaster**
(lime, lime cement and insulating plaster)
- **Interior plaster**
(lime plaster)



Special applications

- Fire protection mortar
- Self-levelling compound
- ETICS
- Masonry, adhesive and refurbishing mortar
- Sealing slurry
- Injection and filling mortar
- Glass-fibre-reinforced concrete
- Rough finish plaster and adhesive bridges
(by installing corresponding worm parts)

Equipment	S 5 EV	S 5 EVT M
Adapter V 50-M35	■	■
Cleaning accessories	■	■
Hand lever press with hose	■	■
Instruction manual and spare parts list	■	■
Seal ring for mortar coupling	■	■
Standard tools	■	■
Cable remote control, 20 m, with emergency stop	□	□
Cable remote control, 60 m, with emergency stop	□	□
Mixer timer relay	-	□
Pneumatic remote control, 20 m	□	□
Reversing switch for direction of rotation on the pan mixer	-	□
Screen grille	□	-
Water metering	-	□

■ Standard □ Option - Not available

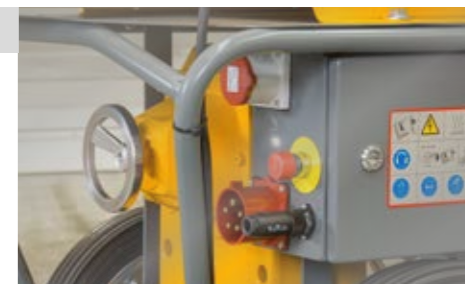
Electric worm pump – extraordinarily versatile

- Large material hopper (100 l) and perfectly adapted pan mixer (80 l) for rapid material processing
- Depending on the material and application, different worm parts can be used, enabling great flexibility across a wide range of applications
- Rotor is only plugged in, making it possible to quickly change the worm parts without tools on the construction site



Simple and safe

- Control box is also a power distributor for attached devices such as a pan mixer or compressors
- Infinite adjustment of delivery rate using handy rotary wheel
- Cable remote control with EMERGENCY Stop for remote operation available as an option
- Simple connection with 32 A CEE cable



Pan mixer for demanding mixes

- Intelligent positioning of mixing blade guarantees maximum mixing quality
- Pan mixer can be easily retrofitted as required (S 5 EV)
- Protective grilles are equipped with integrated safety switches and can be folded wide open for optimum accessibility during maintenance and cleaning



Flexible configuration for a wide range of applications

- Varied range of accessories covers a large number of applications
- Precise metering of water with the optional water metering
- Mixer timer relay as an option enables a defined mixing time to be set, which is required for high-strength mortar



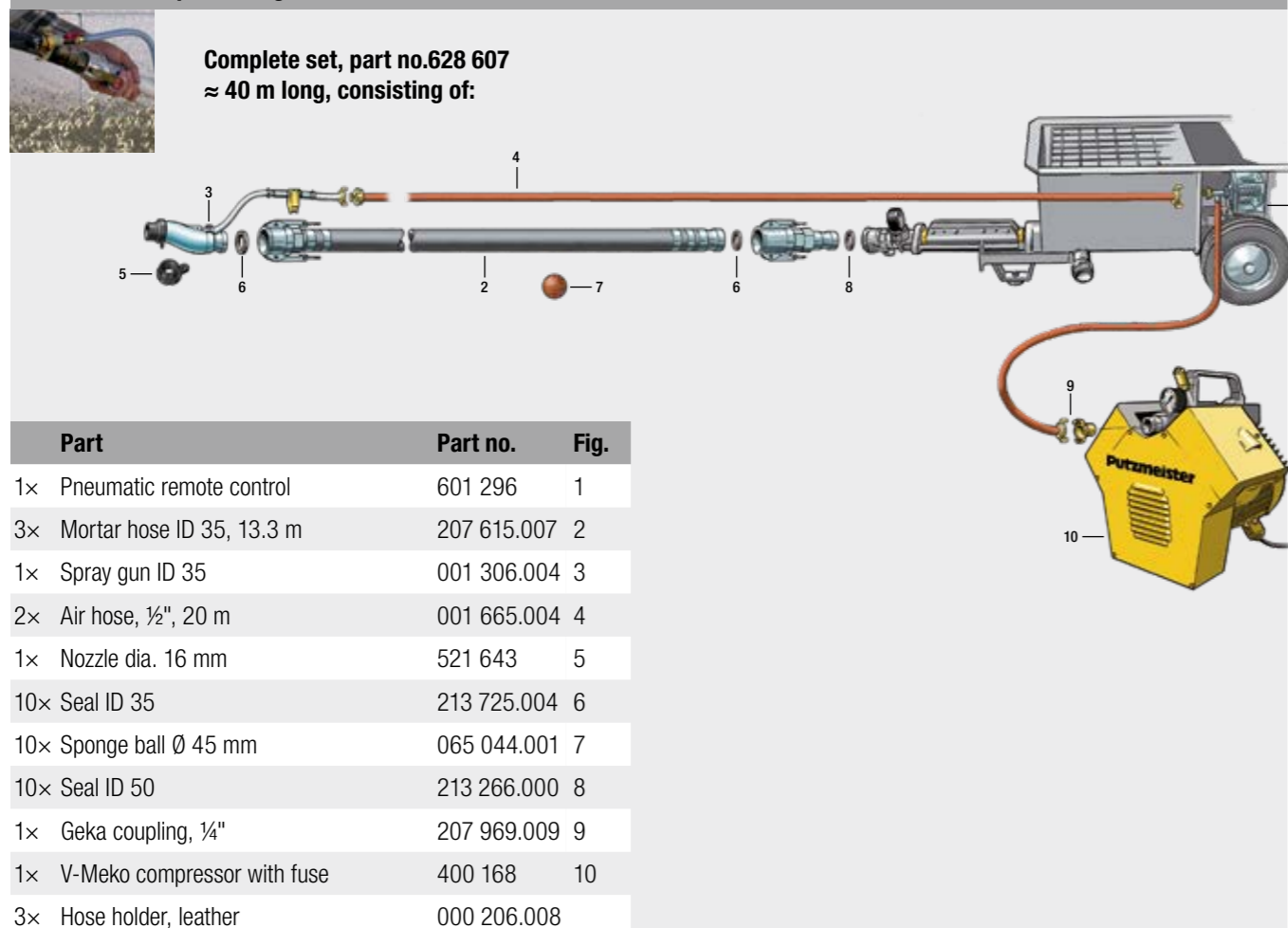
Technical data	S 5 EV	S 5 EVT M
Part no.	111 635.010	111 635.030
Pan mixer	-	80 l
Feed hopper	100 l	100 l
Pump	Worm pump 2L6	Worm pump 2L6
Delivery rate (theor.)*	7–40 l/min	7–40 l/min
Delivery pressure (max.)	25 bar	25 bar
Delivery range**	Up to 60 m horizontal, 40 m vertical	Up to 60 m horizontal, 40 m vertical
Engine	5.5 kW, 400 V/50 Hz	5.5 kW, 400 V/50 Hz
Fuse	25 A	25 A
Connection	32 A CEE; max. 100 m; min. 4 mm ²	32 A CEE; max. 100 m; min. 4 mm ²
Mixer drive	-	2.2 kW
Weight	190 kg	400 kg
Length × width × height	2290 × 680 × 650 mm	2505 × 680 × 1150 mm
Filling height	650 mm	1150 mm
Maximum particle size	6 mm	6 mm
Pressure connection	M 50	M 50
Special feature	Basic version	With pan mixer
Sound level L _{WA} /L _{PA}	89 dB / <85 dB(A)	89 dB / <85 dB(A)

* The delivery rate depends on the pump model. The delivery rate can vary in accordance with the pump used.

** The data is based on experience and depends on the materials used.

Accessories S 5 EV/EVTM

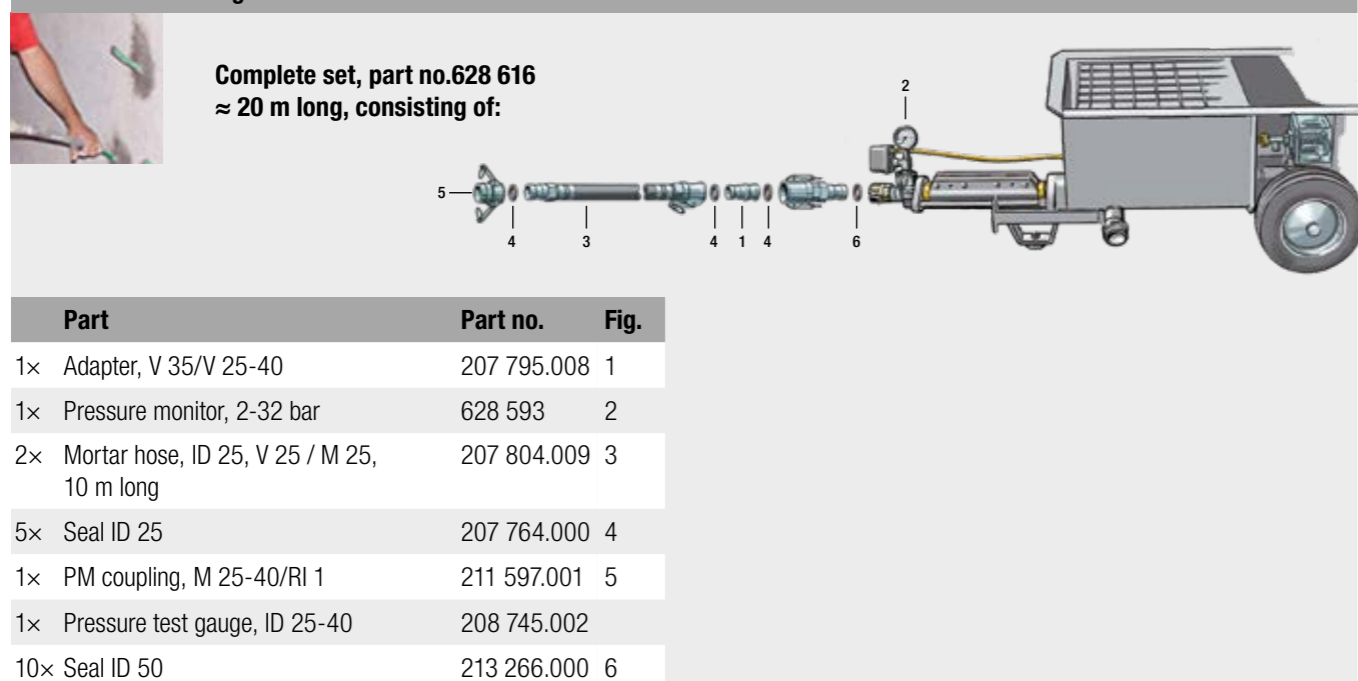
Accessories for processing site-made mixes



Complete set, part no.628 607
≈ 40 m long, consisting of:

Part	Part no.	Fig.
1× Pneumatic remote control	601 296	1
3× Mortar hose ID 35, 13.3 m	207 615.007	2
1× Spray gun ID 35	001 306.004	3
2× Air hose, ½", 20 m	001 665.004	4
1× Nozzle dia. 16 mm	521 643	5
10× Seal ID 35	213 725.004	6
10× Sponge ball Ø 45 mm	065 044.001	7
10× Seal ID 50	213 266.000	8
1× Geka coupling, ¼"	207 969.009	9
1× V-Meko compressor with fuse	400 168	10
3× Hose holder, leather	000 206.008	

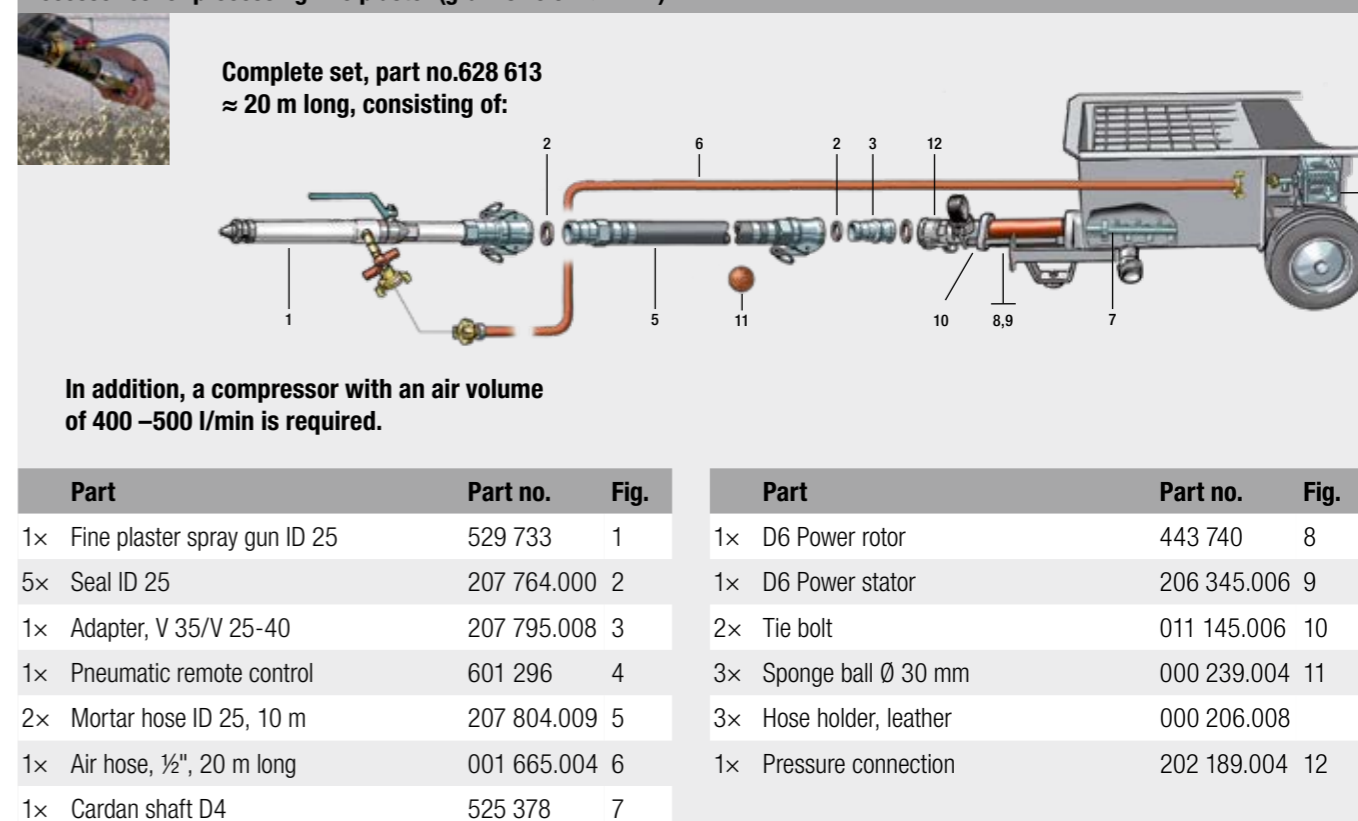
Accessories for filling anchors



Complete set, part no.628 616
≈ 20 m long, consisting of:

Part	Part no.	Fig.
1× Adapter, V 35/V 25-40	207 795.008	1
1× Pressure monitor, 2-32 bar	628 593	2
2× Mortar hose, ID 25, V 25 / M 25, 10 m long	207 804.009	3
5× Seal ID 25	207 764.000	4
1× PM coupling, M 25-40/RI 1	211 597.001	5
1× Pressure test gauge, ID 25-40	208 745.002	
10× Seal ID 50	213 266.000	6

Accessories for processing fine plaster (grain size of < 4 mm)

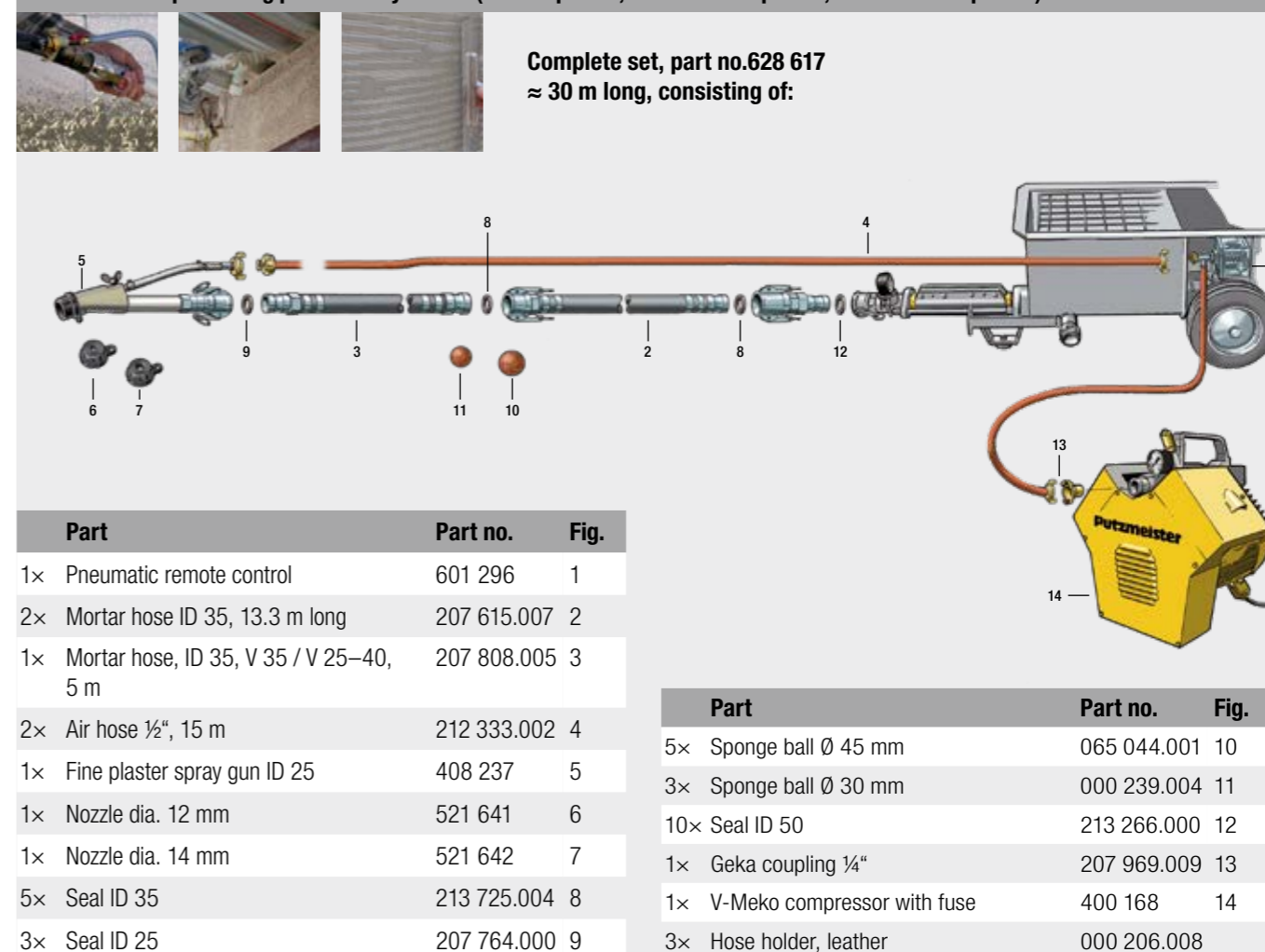


Complete set, part no.628 613
≈ 20 m long, consisting of:

Part	Part no.	Fig.
1× Fine plaster spray gun ID 25	529 733	1
5× Seal ID 25	207 764.000	2
1× Adapter, V 35/V 25-40	207 795.008	3
1× Pneumatic remote control	601 296	4
2× Mortar hose ID 25, 10 m	207 804.009	5
1× Air hose, ½", 20 m long	001 665.004	6
1× Cardan shaft D4	525 378	7
1× D6 Power rotor	443 740	8
1× D6 Power stator	206 345.006	9
2× Tie bolt	011 145.006	10
3× Sponge ball Ø 30 mm	000 239.004	11
3× Hose holder, leather	000 206.008	
1× Pressure connection	202 189.004	12

In addition, a compressor with an air volume of 400 –500 l/min is required.

Accessories for processing premixed dry mortar (cement plaster, fire-retardant plaster, reinforcement plaster)



Complete set, part no.628 617
≈ 30 m long, consisting of:

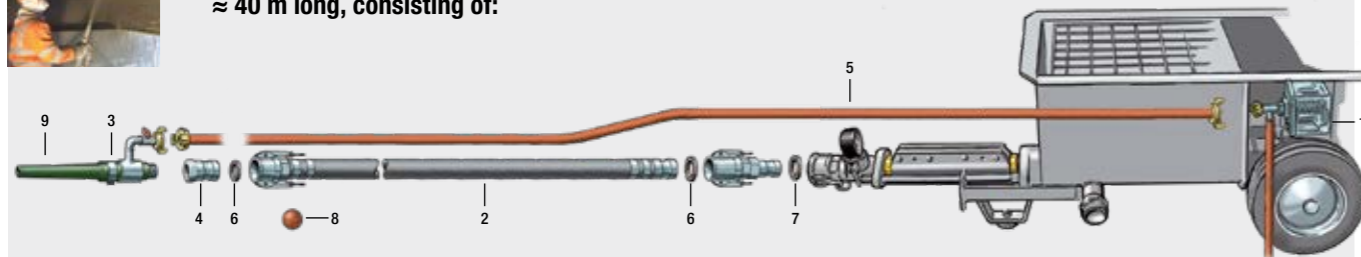
Part	Part no.	Fig.
1× Pneumatic remote control	601 296	1
2× Mortar hose ID 35, 13.3 m long	207 615.007	2
1× Mortar hose, ID 35, V 35 / V 25-40, 5 m	207 808.005	3
2× Air hose ½", 15 m	212 333.002	4
1× Fine plaster spray gun ID 25	408 237	5
1× Nozzle dia. 12 mm	521 641	6
1× Nozzle dia. 14 mm	521 642	7
5× Seal ID 35	213 725.004	8
3× Seal ID 25	207 764.000	9
5× Sponge ball Ø 45 mm	065 044.001	10
3× Sponge ball Ø 30 mm	000 239.004	11
10× Seal ID 50	213 266.000	12
1× Geka coupling ¼"	207 969.009	13
1× V-Meko compressor with fuse	400 168	14
3× Hose holder, leather	000 206.008	

Accessories S 5 EV/EVTM

Accessories for concrete restoration



Complete set, part no.628 619
≈ 40 m long, consisting of:



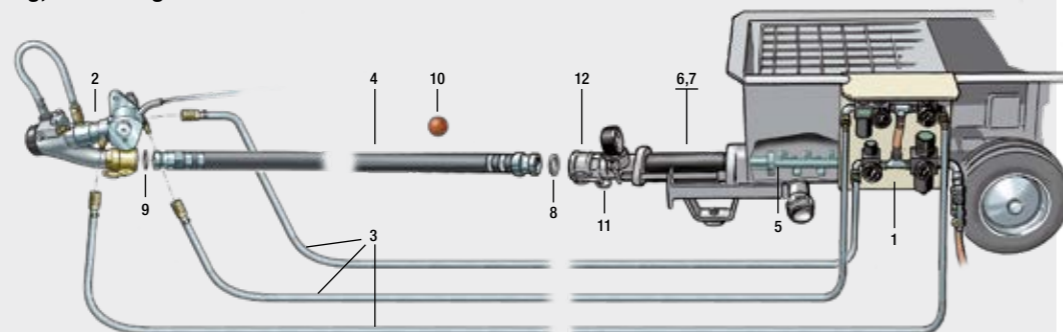
In addition, a compressor with an air volume of 1500 l/min is required.

Part	Part no.	Fig.	Part	Part no.	Fig.
1× Pneumatic remote control	601 296	1	10× Seal ID 50	213 266.000	7
3× Mortar hose ID 35, 13.3 m	207 615.007	2	1× Adapter V 50 / M 35	213 217.004	
1× Refurbishing spray gun	207 283.002	3	5× Sponge ball Ø 45 mm	065 044.001	8
1× Coupling V 35	203 135.002	4	1× Nozzle, dia. 15 mm	207 286.009	9
2× Air hose, 20 m	001 665.004	5	3× Hose holder, leather	000 206.008	
5× Seal ID 35	213 725.004	6			

Accessories for spraying glass-fibre reinforced concrete



Complete set, part no. 542 935
≈ 10 m long, consisting of:



Part	Part no.	Fig.	Part	Part no.	Fig.
1× Control panel	207 223.004	1	1× Screw conveyor barrel D 8-2	436 746	7
1× GFB spray gun	070 436.002	2	3× Seal ID 35	213 725.004	8
1× Hose connection cpl.	209 347.001	3	3× Seal ID 25	207 764.000	9
1× Mortar hose ID 25, V 35 / V 25-40, 10 m	207 809.004	4	3× Sponge ball Ø 30 mm	000 239.004	10
1× Cardan shaft (spiral)	525 378	5	2× Tie bolt	011 145.006	11
1× Screw conveyor D 8-2	436 743	6	1× Pressure connection	202 189.004	12

Modification of pump type 2L6 in line with other pump types:

Conversion of S 5 EV with slide-on Cardan shaft (version from part no. 111 452.310, 111 452.330) to D4, D4½, D4¼, D5 short, D6, D8-2+ with the following parts:

Part	Part no.
1× Cardan shaft (spiral)	525 378
2× Tie rod (l=300 mm, M 20)	011 145.006
1× Pressure connection	202 189.004

Conversion of S 5 EV 2L6 to 1L6 with the following parts:

Part	Part no.
1× 1L6 rotor	207 136.007
1× 1L6 stator	214 536.001
1× Clamp, cpl.	422 747
2× Tie rod (l=300 mm, M 20)	011 145.006

Conversion of S 5 EV 2L6 to D5 with the following parts:

Part	Part no.
1× Cardan shaft (spiral)	525 378
1× D5 rotor	070 351.006
1× D5 stator	070 352.005
1× Clamp, cpl.	206 848.008
2× Tie rod (l=410 mm, M 20)	467 156
1× Pressure connection	202 189.004

Conversion of S 5 EV 2L6 to 2L54 with the following parts:

Part	Part no.
1× Cardan shaft (spiral)	455 703
1× Rotor 2L54	211 739.005
1× Stator 2L54	523 235

You can find information on our range of rotors and stators in the accessories catalogue – you can also contact customer service.



SP 11 LMR – Stage V

Convenient plastering made easy



- **Exterior plaster**
(lime, lime cement and insulating plaster)
- **Interior plaster**
(lime plaster)



Plaster/Fine plaster

- Light masonry or fire protection mortar
- Filling and grouting work
- Concrete renovation

Special applications

Equipment	SP 11 LMR
Car cable adapter	■
Car coupling	■
Cleaning accessories	■
Grease cartridge	■
Hand lever press with hose	■
High-pressure cleaner	■
Instruction manual and spare parts list	■
Seal ring for mortar coupling	■
Standard tools	■
Water metering	■
Cable remote control (20 m)	□
Dust extraction	□
Radio remote control	□
Scraper set for mixing paddle	□
Screen grille	□
Special canopy paint in RAL colours	□
Support wheel	□
Truck coupling	□
Working lights	□

■ Standard □ Option – Not available

The benchmark in user-friendly plastering

- Water metering pipe and sophisticated dust extraction system (dust is extracted and discharged via the exhaust system) in the mixer cover for efficient and convenient working progress
- Unique capacity for generous reserves when working on more ambitious projects
- Extremely effective mixer
- Lifting mixer with low filling height that mixes material continuously



Powerful and convenient

- Low-noise, low-speed economical 3-cylinder Kubota diesel engine
- Powerful 2L6 worm pump with pressure connection to hose connection
- Fully hydraulic pump and mixer drive with infinitely adjustable output



Highest quality and safety standards

- Double-walled hood provides effective sound insulation
- Axle load of less than 750 kg, can be transported without requiring an additional driving licence as it is unbraked
- Machine operation conforms with CE standards to protect the machine operator



Genuine added value – made for working

- Independent of the power supply, flexible operation on the construction site
- Lightweight, hard-wearing plastic hood that is easy to clean and can withstand the toughest site conditions



Technical data	SP 11 LMR
Part no.	111 626.400
Mixing vessel	180 l
Feed hopper	220 l
Delivery rate (theor.)*	5–60 l/min
Delivery pressure (max.)	25 bar
Delivery range**	60 m horizontal and 40 m vertical for external/internal plaster
Compressor	2-cylinder, 400 l/min, 3.7 bar
Worm pump	2L6
Engine	3-cylinder Kubota Diesel, 16.3 kW at 2600 rpm (Stage V)
Weight	750 kg (maximum axle load)
Length × width × height	3260 × 1420 × 1160 mm
Filling height	800 mm
Maximum particle size	6 mm
Chassis	Unbraked, suitable for road use
Sound level L_{WA}/L_{pA}	104 dB / >85 dB(A)

* The delivery rate depends on the pump model. The delivery rate can vary in accordance with the pump used.

** The data is based on experience and depends on the materials used.



SP 25 DQR – Stage V

Maximum performance for a variety of applications

Integrated compressor and high-pressure cleaner
enable spraying applications as well as easy cleaning

Robust design with durable plastic cover according to the highest quality standard



Large 240 l lifting mixer
for demanding mixes on the construction site

Central operating position
with intuitive keypad and clearly laid out display

Powerful 28 kW diesel engine with particle filter
complies with "Stage V" emissions standard

- **Exterior plaster**
(lime, lime cement and insulating plaster)
- **Interior plaster**
(lime plaster)



- Light masonry or fire protection mortar
- Filling and grouting work
- Concrete renovation

Equipment	SP 25 DQR
Car cable adapter	■
Car coupling	■
Cleaning accessories	■
Grease cartridge	■
Hand lever press with hose	■
High-pressure cleaner	■
Instruction manual and spare parts list	■
Seal ring for mortar coupling	■
Standard tools	■
Support feet	■
Support wheel	■
Water metering	■
Radio remote control	□
Scraper set for mixing paddle	□
Screen grille	□
Special canopy paint in RAL colours	□
Truck coupling	□
Working lights	□

■ Standard □ Option – Not available

Meets the highest requirements on construction sites

- Powerful worm pump with mixer for traditional internal and external plaster applications and a wide variety of other special applications
- Increased efficiency for higher throughputs, longer delivery ranges and higher delivery pressures
- Robust design for maximum durability – tried-and-tested in site use and on the test track



Environmentally friendly and powerful

- Powerful diesel engine with 28 kW of drive power and a diesel particle filter
- Meets all requirements of the "Stage V" emissions level, meaning the pump can be operated in all EU countries and Switzerland now and in future without issues
- TRGS 554 conformity enables machine operation in (partially) enclosed areas
- Large tank with a volume of 40 litres for maximum running capacity without refuelling



Robust and clearly laid out operating panel

- Intuitive keypad with "follow the blue light" principle increases operating safety
- Simple operation of all relevant functions – even when wearing work gloves
- Display unit with clear layout of all information, protected by scratch-resistant, replaceable special glass
- Entire operating panel protected by folding cover



Powerful lifting mixer with large capacity

- Large lifting mixer with a volume of 240 l allows mixing of larger material quantities/containers
- Multi-component materials and premixed dry mortar can be mixed together on the construction site in the powerful mixer for any mixing time
- The lifting function of the mixer allows for a lower filling height and permits the simple transfer of the mixed batch to the feed hopper



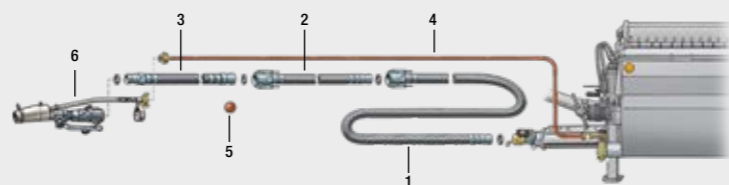
Technical data	SP 25 DQR
Part no.	111 674.100
Mixing vessel	240 l
Feed hopper	250 l
Delivery rate (theor.)*	0.3–4.5 m³/h (2L6), optionally up to 15 m³/h (2L75)
Delivery pressure (max.)	35 bar, optional: 20 bar
Delivery range**	70 m horizontal and 50 m vertical for external/internal plaster
Compressor	2-cylinder, 400 l/min, 7 bar
Pump	Worm pump 2L6, optional: 2L75, 2L54, 2L74, 3L7
Engine	3-cylinder Kubota Diesel, 28 kW (Stage V)
Weight (fully refuelled)	1050 kg
Length × width × height	4280 × 1410 × 1480 mm (with mixer up)
Filling height	770 mm
Maximum particle size	6 mm (2L6), 8 mm (2L75)
Chassis	Braked, approved for road use
Sound level L_{WA}/L_{pA}	104 dB / <85 dB(A)

* The delivery rate depends on the pump model. The delivery rate can vary in accordance with the pump used.

** The data is based on experience and depends on the materials used.

Accessories SP 11 / SP 25

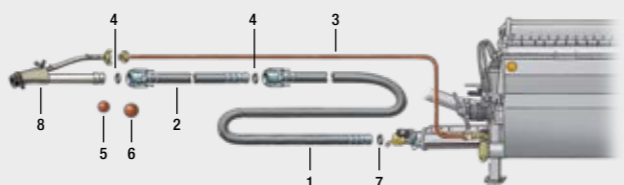
Accessories for processing monocouche renders



Complete set, part no. 401 133
 ≈ 30 m long, consisting of:

Part	Part no.	Fig.	Part	Part no.	Fig.
1× Mortar hose ID 35, V 50, M 35, 13.3 m	207 616.006	1	1× Rubber fine plaster nozzle 8 mm	214 751.006	
1× Mortar hose ID 35, V 35, M 35, 13.3 m	207 615.007	2	1× Rubber fine plaster nozzle 10 mm	214 752.005	
1× Mortar hose, ID 25, V 25, M 25, 5 m	207 808.005	3	1× Rubber fine plaster nozzle 12 mm	214 753.004	
1× Air hose Geka ½"; 40 m	214 734.007	4	1× Rubber fine plaster nozzle 14 mm	214 754.003	
2× Sponge ball Ø 45 mm	065 044.001	5	1× Rubber fine plaster nozzle 16 mm	214 755.002	
1× Spray gun, ID 25-40 short	408 237	6	1× Flexible mortar nozzle, D 18	001 329.007	
			1× Hose holder, leather	000 206.008	

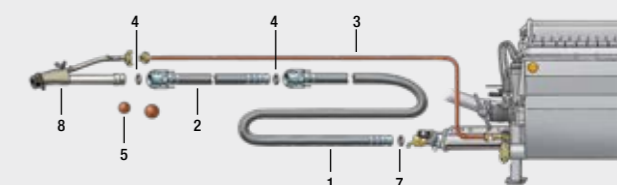
Accessories for processing premixed dry mortar



Complete set, part no. 532 995
 ≈ 40 m long, consisting of:

Part	Part no.	Fig.	Part	Part no.	Fig.
2× Mortar hose, ID 50, V 50, M 50, 13.3 m	501 914	1	5× Sponge ball Ø 60 mm	000 212.005	6
1× Mortar hose ID 35, V 50, M 35, 13.3 m	207 616.006	2	5× Sponge ball Ø 45 mm	065 044.001	5
1× Air hose Geka ½"; 40 m	214 734.007	3	5× Seal ID 50	213 266.000	7
5× Seal ID 35	213 725.004	4	1× Spray gun V 35	203 054.002	8
			3× Hose holder, leather	000 206.008	

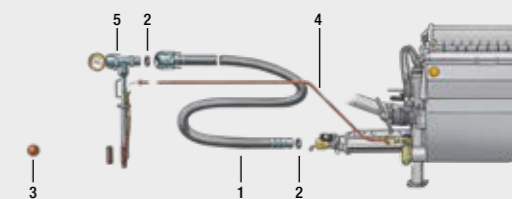
Accessories for processing fire-retardant mortar



Complete set, part no. 533 638
 ≈ 40 m long, consisting of:

Part	Part no.	Fig.	Part	Part no.	Fig.
1× Mortar hose, ID 35, V 50, M 35, 13.3 m	207 616.006	1	5× Seal ID 50	213 266.000	7
2× Mortar hose, ID 35, V 35, M 35, 13.3 m	207 615.007	2	5× Sponge ball Ø 45 mm	065 044.001	5
1× Air hose Geka ½"; 40 m	214 734.007	3	1× Spray gun V 35	203 054.002	8
5× Seal ID 35	213 725.004	4	3× Hose holder, leather	000 206.008	

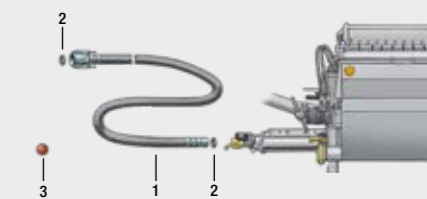
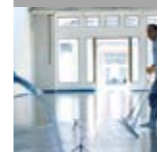
Accessories for injection



Complete set, part no. 532 998
 ≈ 40 m long, consisting of:

Part	Part no.	Fig.	Part	Part no.	Fig.
3× Mortar hose, ID 50, V 50, M 50, 13.3 m	501 914	1	3× Hose holder, leather	000 206.008	
5× Seal ID 50	213 266.000	2	1× Injection nozzle with T-piece, pressure gauge, remote control air cock, coupling with spout ID 50, expanding collar D 45, and collar D 38	001 128.004	5
5× Sponge ball Ø 60 mm	000 212.005	3			
1× Air hose Geka ½"; 40 m	214 734.007	4			

Accessories for processing self levelling floor screed with SP 11 THF



For a delivery range of 40 m, you will require:

Part	Part no.	Fig.	Part	Part no.	Fig.
3× Mortar hose, ID 50, V 50, M 50, 13.3 m	501 914	1	5× Seal ID 50	213 266.000	2
			5× Sponge ball Ø 60 mm	000 212.005	3
			3× Hose holder, leather	000 206.008	



P 13

Robust and service-friendly for the most challenging site mixes in the world

Large mixer 170 l for excellent mixing quality



Engine, compressor and gearbox are very good protected

Robust, powerful piston pump (KA 230) for even pumpable sand

Delivery performance regulated mechanically over 3 settings

Plaster/Fine plaster

- **Site mixes** (lime-gypsum, lime cement plaster)
- **Interior and exterior plaster** (coloured, cement and lime cement plaster, scratch plasters)



Shotcrete

- **Shotcreting, max. grain size 8 mm**



Fine grained concrete

- **Fine grained concrete, max. grain size 8 mm**



Special applications

- Grouting, filling, masonry and cement mortar
- Bentonite slurry
- Pumpable sand (e.g. crushed sand, dune sand, washed river or lake sand, desert sand, etc.) with max. grain size of 8 mm
- Self levelling floor screed

Equipment	P 13
Cleaning accessories	■
Grease cartridge	■
Hand lever press with hose	■
Instruction manual and spare parts list	■
Pneumatic remote control	■
Pressure gauge with T connection	■
Screen grille	■
Spray gun V 35, short	■
Standard tools	■
Truck coupling	■
Braked chassis	□
Car coupling	□
Water supply fitting	□

■ Standard □ Option – Not available

Powerful piston pump that can convey the most challenging materials

- Extremely hard-wearing single-piston pump KA 230 can even process sand with a particle distribution of 10 mm
- KA 139 and KA 230 can be fitted with pump heads of different sizes, depending on the material quality
- Robust plate hood protects the motor, compressor and gearbox



Two powerful mechanical drive variants – electric or diesel

- DMR version with air-cooled two-cylinder diesel engine (14.5 kW) – reliable and robust, braked or with construction site chassis
- EMR version with 400 V electric motor (7.5 kW) – particularly quiet, maintenance-free operation



Efficient mixer/hopper unit

- Large mixer with discharge flap achieves an excellent mixing quality
- Mechanically driven vibrating screen separates material with an excessive particle size and foreign bodies
- Additional agitator in the mortar hopper prevents the material from settling
- Cleaning port inside the hopper for quick and easy cleaning



Extremely durable, practical design

- Built for the most challenging site-made mixes in the world
- Good accessibility – service and maintenance-friendly
- Output can be regulated mechanically (three stages)
- Wear-resistant components such as hard chrome plated cylinders reduce operating costs



Technical data	P 13 DMR KA 139	P 13 DMR KA 230	P 13 EMR KA 139	P 13 EMR KA 230
Part no.	111 632.XXX (depending on the relevant customer-specific machine configuration)			
Mixing vessel	170 l	170 l	170 l	170 l
Feed hopper	200 l	200 l	200 l	200 l
Delivery rate (theor.)*	20–80 l/min	30–90 l/min	20–80 l/min	30–90 l/min
Delivery pressure (max.)	40 bar	40 bar	40 bar	40 bar
Delivery range**	Up to 150 m horizontal, 80 m vertical – for site-made plaster/fine plaster mix: 60 m horizontal and 40 m vertical			
Compressor	2-cylinder, 3.5 bar, 300 l/min			
Mechanical piston pump	KA 139	KA 230	KA 139	KA 230
Drive	2-cylinder diesel engine, 14.5 kW at 2800 rpm (no emissions level – non-EU)		Electric motor 400 V, 7.5 kW at 2900 rpm (32 A CEE; max. 50 m; min. 4 mm ²)	
Piston stroke	130 mm	130 mm	130 mm	130 mm
Piston diameter	100 mm	100 mm	100 mm	100 mm
Weight	990 kg (unbraked) – 1040 kg (braked)			
Length × width × height	3000 × 1640 × 1450 mm (unbraked) – 3640 × 1566 × 1575 mm (braked)			
Filling height	1300 mm	1300 mm	1300 mm	1300 mm
Maximum particle size	6 mm	8 mm	6 mm	8 mm
Chassis	Unbraked (braked chassis available as an option on all P 13 versions)			
Fuse	–	–	25 A	25 A
Pressure connection	M 50	M 50	M 50	M 50
Sound level L _{WA} /L _{PA}	111 dB / >85 dB(A)	111 dB / >85 dB(A)	97 dB / >85 dB(A)	97 dB / >85 dB(A)

* The delivery rate depends on the pump model. The delivery rate can vary in accordance with the pump used.

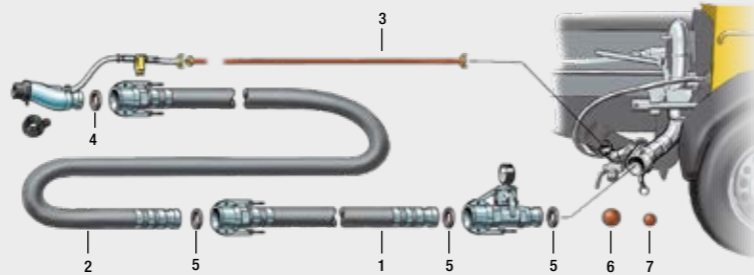
** The data is based on experience and depends on the materials used.

Accessories P 13

Standard mortar line



Complete set, part no. 533 036
≈ 40 m long, consisting of:



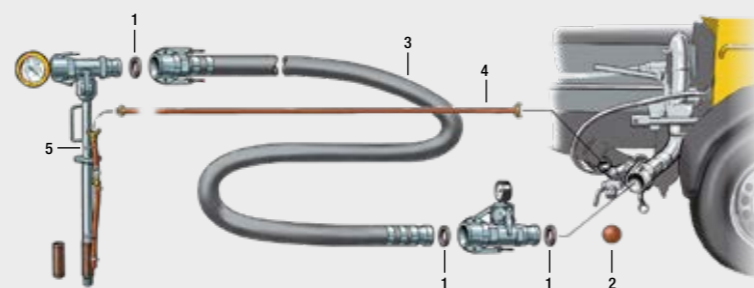
Part	Part no.	Fig.
2× Mortar hose, 13.3 m, ID 50, M 50 / V 50	501 914	1
1× Mortar hose, 13.3 m, ID 50, M 35 / V 50	207 616.006	2
1× Air hose 40 m, ½"	214 734.007	3
5× Seal ID 35	213 725.004	4
5× Seal ID 50	213 266.000	5
5× Sponge ball Ø 60 mm	000 212.005	6
5× Sponge ball Ø 45 mm	065 044.001	7
3× Hose holder, leather	000 206.008	

Optional accessories	Part no.	Fig.
1× PM grout, 18 l storage tank, 25 pcs	266 743.004	

Accessories for injection



Complete set, part no. 533 037
≈ 40 m long, consisting of:



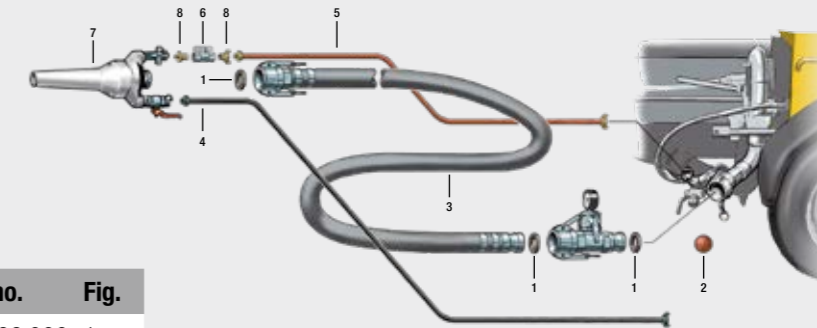
Part	Part no.	Fig.
5× Seal ID 50	213 266.000	1
3× Mortar hose, 13.3 m, ID 50, V 50 / M 50	501 914	3
5× Sponge ball Ø 60 mm	000 212.005	2
2× Air hose 40 m, ½"	214 734.007	4
1× Injection nozzle cpl. with T-piece, Pressure gauge, remote control air valve, Coupling with spout ID 50, Mounted expanding collar D 45 and collar D 38	001 128.004	5
1× Hose holder, leather	000 206.008	

Optional accessories	Part no.	Fig.
1× PM grout, 18 l storage tank, 25 pcs	266 743.004	

Accessories for the injection of concrete, max. 40 bar, ≤ 8 mm grain size



Complete set, part no. 543 144
≈ 40 m long, consisting of:

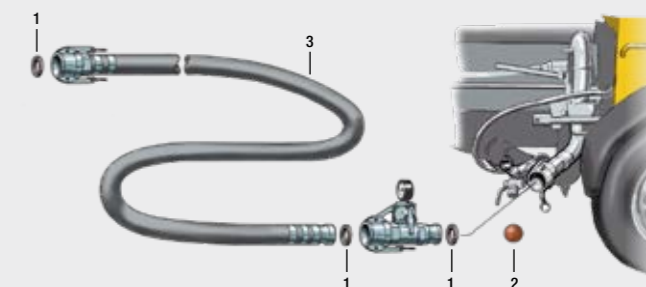


Part	Part no.	Fig.
5× Seal ID 50	213 266.000	1
5× Sponge ball Ø 60 mm	000 212.005	2
3× Mortar hose, 13.3 m, ID 50, V 50 / M 50	501 914	3
1× Air hose 20 m, ¾"	416 015	4
1× Air hose ½", 40 m	214 734.007	5
1× Ball valve ½"	207 792.001	6
1× Concrete spray gun, V 50, 30 mm	072 157.004	7
2× Geka coupling ½" AG	014 068.009	8
1× Hose holder, leather	000 206.008	
Optional accessories	Part no.	Fig.
1× PM grout, 18 l storage tank, 25 pcs	266 743.004	

Accessories for self levelling floor screed



40 m long, consisting of:



Part	Part no.	Fig.
5× Seal ID 50	213 266.000	1
5× Sponge ball Ø 60 mm	000 212.005	2
3× Mortar hose, 13.3 m, ID 50, V 50 / M 50	501 914	3
1× Hose holder, leather	000 206.008	
Optional accessories	Part no.	Fig.
1× PM grout, 18 l storage tank, 25 pcs	266 743.004	



P 715

Reliable, powerful and mobile for a wide range of applications

Maintenance and service-friendly
everything is protected below the canopy

Operating panel
ergonomical on one side

Large hopper 280 l
with rubber collar and protective grid

Supporting feet
for secure stability

Extremely robust
piston pump unit



Machine operation with the diesel engine only permitted outside the EU!

- Calcium sulphate screed
- Cement floor screed

Self levelling floor screed



- Shotcrete

Shotcrete



- Conveying fine grained concrete
- Grouting work

Fine grained concrete



Equipment	P 715
Clamp coupling with seal, 4.5"	■
Cleaning accessories	■
Instruction manual and spare parts list	■
Protective grille	■
Rubber collar	■
Safety helmet	■
Toolbox and tools	■
Truck coupling	■
Vehicle fuses	■
Vibrator	■
24 V light holder	□
Additive metering unit (synchro)	□
Air vessel (self levelling floor screed)	□
Cable remote control	□
Car coupling	□
Central lubrication system	□
Customer labelling	□
Exhaust flap	□
Flushing water pump	□
High-pressure cleaner	□
"Hopper empty" signal	□
Large chassis (2.5 t)	□
Lifting eye	□
Radio remote control	□
Special canopy paint in RAL colours	□
Stroke counter	□
Working lights	□

■ Standard □ Option – Not available

Uncompromising versatility

- Processing self levelling floor screed, fine grained concrete and shotcrete with a maximum particle size of 16 mm
- The delivery pressure can be adjusted to 40 or 68 bar using a hand lever, depending on the material and delivery line
- Lightweight, roadworthy T-chassis (trailer version) and sturdy lifting eye for easy transport and effortless manoeuvring



Two drive versions – electric motor or diesel engine

- Reliable oil-cooled 3-cylinder Deutz diesel engine complies with exhaust emission regulation III A
- Abundant power, even at lower speeds – preserves the aggregate and saves on fuel
- Also available with low-noise, environmentally friendly electric motor (30 kW)



High-quality processing for greater working efficiency

- Operating and control elements are ergonomically and logically positioned on one side
- Lightweight plastic hood with smooth painted finish, stainless and easy to clean
- Bodyshell with CDP dip coating reliably protects against rust
- Hopper folds to the side to give access to the agitator



Low-wearing, versatile piston pump

- Hard chrome plated cylinders, spectacle wear plate made from tempered steel, self-sealing self-adjusting ring and S transfer tube minimise wear
- Deep-seated agitator ensures homogeneous mixing quality
- Reliable hydraulic control for greater efficiency



Technical data	P 715 TD – Non-EU	P 715 SD – Non-EU	P 715 TE	P 715 SE
Part no.	111 591.400	111 591.XXX	111 591.7XX	111 591.8XX
Feed hopper	250 l/280 l (with rubber attachment collar)			
Delivery rate (theor.*)	4–17.4 m³/h	4–17.4 m³/h	4–18.2 m³/h	4–18.2 m³/h
Delivery pressure (max.)	68 bar	68 bar	68 bar	68 bar
Delivery range**	Up to 300 m horizontal and 100 m vertical, with shotcrete up to 100 m horizontal and 80 m vertical			
Piston pump	2-cylinder, hydraulic	2-cylinder, hydraulic	2-cylinder, hydraulic	2-cylinder, hydraulic
Cylinder diameter	150 mm	150 mm	150 mm	150 mm
Drive	3cylinder Deutz diesel engine, 34.5 kW (emission stage III A – non-EU)		30 kW electric motor, 400 V, 50 Hz (63 A CEE; max. 70 m; min. 25 mm²)	
Drive cylinder diameter	80/45 mm	80/45 mm	80/45 mm	80/45 mm
Piston stroke	700 mm	700 mm	700 mm	700 mm
Strokes/min.	27	27	27	27
Weight	1850 kg	1700 kg	1800 kg	1650 kg
Length × width × height	4600 × 1520 × 1750 mm	2950 × 1400 × 1550 mm	4600 × 1520 × 1650 mm	2950 × 1400 × 1400 mm
Filling height	1180 mm	973 mm	1180 mm	973 mm
Maximum particle size	16 mm	16 mm	16 mm	16 mm
Machine model	Trailer concrete pump	Stationary pump	Trailer concrete pump	Stationary pump
Chassis	Road travel chassis, 1900 kg	Skid frame	Road travel chassis, 1900 kg	Skid frame
Sound level L _{WA} /L _{PA}	108 dB / >85 dB(A)	108 dB / >85 dB(A)	108 dB / >85 dB(A)	108 dB / >85 dB(A)

* The delivery rate depends on the pump model. The delivery rate can vary in accordance with the pump used.

** The data is based on experience and depends on the materials used.



P 720 – Stage V

The all-rounder for everything from shotcrete to self levelling floor screed in a new design

Central operating position with intuitive keypad and clearly laid out display

Robust design with durable plastic cover according to the highest quality standard

Powerful 44.5 kW diesel engine with particle filter complies with “Stage V” emissions standard

Revised piston pump unit for an even better and more efficient pumping experience



- Calcium sulphate screed
- Cement floor screed

Self levelling floor screed



- Shotcrete

Shotcrete



- Conveying fine grained concrete
- Grouting work

Fine grained concrete



Equipment	P 720 TD	P 720 SD
Central lubrication system (with hand pump and manifold block)	■	■
Cleaning accessories	■	■
Delivery rate regulation (electric)	■	■
Ergonic® Output Control (EOC)	■	■
Exhaust flap	■	■
Instruction manual and spare parts list	■	■
Lifting eye	■	■
Protective grille	■	■
Rubber collar	■	■
Safety helmet	■	■
Stroke counter	■	■
Support feet (two mechanical feet on the hopper)	■	–
Toolbox and tools	■	■
Truck coupling	■	–
Vibrator	■	■
24 V light holder	□	–
Additive metering unit (synchro)	□	□
Air vessel	□	□
Cable remote control	□	□
Car coupling	□	–
Central lubrication system (electric, automatic)	□	□
Customer labelling	□	□
Flushing water pump	□	□
High-pressure cleaner	□	□
“Hopper empty” signal	□	□
Large chassis (2500 kg)	□	–
Radio remote control with adjustable delivery rate	□	□
Special canopy paint in RAL colours	□	□
Splash guard – hopper cover and spray guard	□	□
USB charging port with smartphone holder on the operating panel	□	□
Working lights	□	□

■ Standard □ Option – Not available

Economic and future-oriented

- Processing self levelling floor screed, fine grained concrete and shotcrete with a maximum particle size of 16 mm
- Delivery pressure can be reduced to 40 bar with the hand lever, making it possible to use lighter mortar hoses
- Low weight, suitable for road use and lifting eye for maximum flexibility
- Folding hopper makes cleaning and maintenance easier



Environmentally friendly and powerful

- Robust, compact 3-cylinder common-rail diesel engine from Deutz
- DVERT® particle filter system (DPF) enables maintenance-free operation in all possible applications and ambient conditions
- TRGS 554 conformity enables machine operation in (partially) enclosed areas
- Does not require urea (also known as AdBlue®)



Robust and clearly laid out operating panel

- Intuitive keypad with “follow the blue light” principle increases operating safety
- All relevant functions are easy to switch on or off – even when wearing gloves
- Coloured status LEDs on every keypad button provide continuous feedback on current operating states
- Lockable acrylic-glass door protects against dirt, moisture and unauthorised access and is resistant against weathering



Incredible versatility thanks to wide range of equipment

- More equipment included as standard, with stroke counter and electric adjustable delivery rate
- EOC perfectly adjusts the motor speed to the required delivery rate. This makes it possible to save up to 15% in fuel.
- Air vessel reduces pumping vibrations for high-viscosity mortars
- Synchronised additive pump fully integrated in control system



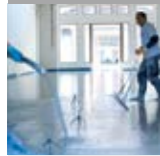
Technical data	P 720 TD	P 720 SD
Part no.	111 671.500	111 671.300
Feed hopper	250 l/280 l (with rubber attachment collar)	250 l/280 l (with rubber attachment collar)
Delivery rate (theor.*)	3–21 m³/h	3–21 m³/h
Delivery pressure (max.)	80 bar	80 bar
Delivery range**	Up to 300 m horizontal and 100 m vertical, with sprayed/fine grained concrete up to 100 m horizontal and 80 m vertical	
Piston pump	2-cylinder, hydraulic	2-cylinder, hydraulic
Piston stroke	700 mm	700 mm
Cylinder diameter	150 mm	150 mm
Drive	3-cylinder Deutz diesel engine with turbocharging, 44.5 kW (Stage V)	
Drive cylinder diameter	80/45 mm	80/45 mm
Strokes/min.	29	29
Weight	2050 kg	1890 kg
Length × width × height	4800 mm × 1491 mm × 1916 mm	3056 mm × 1204 mm × 1734 mm
Filling height	1324 mm	1140 mm
Maximum particle size	16 mm	16 mm
Machine model	Trailer concrete pump	Stationary pump
Chassis	Road travel chassis, 2200 kg	Skid frame
Sound level L _{WA} /L _{PA}	113 dB / >85 dB(A)	113 dB / >85 dB(A)

* The delivery rate depends on the pump model. The delivery rate can vary in accordance with the pump used.

** The data is based on experience and depends on the materials used.

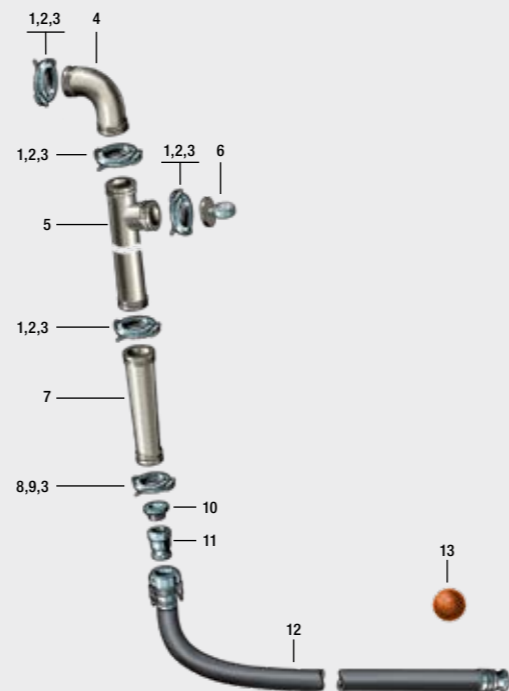
Accessories P 715 / P 720

Delivery line for mortar and self levelling floor screed, PM 50, 40 bar, ≤ 8 mm grain size



Complete set, part no. 533 046
Standard delivery line ≈ 80 m long, consisting of:

Part	Part no.	Fig.
5× Clamp coupling, SK 4.5"	431 613	1
5× Gasket, ID 100, 4.5"	057 341.000	2
6× Securing cotter pin	018 878.004	3
2× Delivery line bend, SK 100, 4.5", 90°	421 329	4
1× T-delivery pipe, SK 100, 4.5", 1 m	057 614.009	5
1× Pressure gauge, SK 100, 4.5", 100 bar	521 430	6
1× Reducer pipe, SK 100, 4.5" - SK 65, 3", 1.5 m	238 508.002	7
1× Clamp coupling, SK 3"	417 798	8
1× Gasket, ID 65, 3"	064 084.004	9
1× Transition piece SK 50 / RA 2"	082 784.001	10
1× PM coupling V 50, RI 2"	205 273.001	11
6× Mortar hose, ID 50, 40 bar, 13.3 m	501 914	12
6× Sponge ball Ø 60 mm	000 212.005	13
1× Lid	057 627.009	

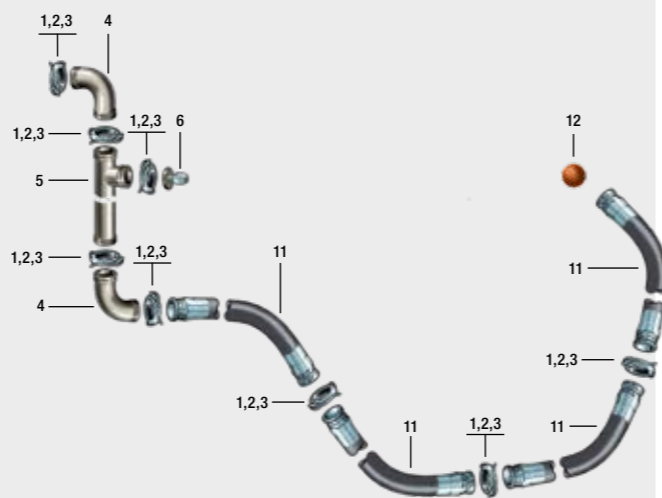


Flexible delivery line for fine grained concrete, mortar, self levelling floor screed, ID 100 / 4.5", 85 bar, ≤ 16 mm grain size



Complete set, part no. 533 049
Standard delivery line ≈ 50 m long, consisting of:

Part	Part no.	Fig.
22× Clamp coupling, SK 4.5"	431 613	1
22× Gasket, ID 100, 4.5"	057 341.000	2
22× Securing cotter pin	018 878.004	3
2× Delivery line bend, SK 100, 90°, 4.5"	421 329	4
1× T-delivery pipe SK 100, 4.5", 1,000 mm	057 614.009	5
1× Pressure gauge, SK 100, 4.5", 100 bar	521 430	6
18× Delivery hose SK 100, 4.5", 2,850 mm	253 319.001	11
6× Sponge ball Ø 120 mm	016 091.003	12
1× Lid	057 627.009	



Delivery line for fine grained concrete, mortar, and self levelling floor screed, SK 50, 60 bar, ≤ 8 mm grain size



Complete set, part no. 533 038
Standard delivery line ≈ 100 m long, consisting of:

Part	Part no.	Fig.
4× Clamp coupling, SK 4.5"	431 613	1
4× Gasket, ID 100, 4.5"	057 341.000	2
55× Securing cotter pin	018 878.004	3
1× Delivery line bend, SK 100, 4.5", 90°	421 329	4
1× T-delivery pipe SK 100, 4.5", 1,000 mm	057 614.009	5
1× Pressure gauge, SK 100, 4.5", 100 bar	521 430	6
1× Reducer pipe 100, 50-4.5" / 3", 1,500 mm	238 508.002	7
45× Clamp coupling, SK 3"	417 798	8
55× Gasket, ID 65, 3"	064 084.004	9
4× Delivery bend pipe, 50, 3", 90°	081 777.006	10
2× Delivery pipe SK 50, 3", 3,000 mm	081 783.003	11
4× Delivery pipe SK 50, 3", 2,000 mm	081 784.002	12
30× Delivery pipe SK 50, 3", 3,000 mm	081 785.001	13
1× Lid	057 627.009	



Part	Part no.	Fig.
4× Delivery line bend, SK 50, 3", 45°	081 779.004	14
1× Delivery hose 3", SK 50, 3", 2,000 mm	481 169	15
6× Sponge ball Ø 60 mm	000 212.005	16

Delivery line for fine grained concrete, mortar, and self levelling floor screed, SK 65, 85 bar, ≤ 12 mm grain size



Complete set, part no. 533 042
Standard delivery line ≈ 100 m long, consisting of:

Part	Part no.	Fig.
4× Clamp coupling, SK 4.5"	431 613	1
4× Gasket, ID 100, 4.5"	057 341.000	2
49× Securing cotter pin	018 878.004	3
1× Delivery line bend, SK 100, 4.5", 90°	421 329	4
1× T-delivery pipe SK 100, 4.5", 1,000 mm	057 614.009	5
1× Pressure gauge, SK 100, 4.5", 100 bar	521 430	6
1× Reducer pipe 100, 65-4.5" / 3", 1,000 mm	224 269.009	7
44× Clamp coupling, SK 3"	417 798	8
44× Gasket, ID 65, 3"	064 084.004	9
4× Delivery line bend, SK 65, 3", 90°	057 756.006	10
2× Delivery pipe SK 65, 3", 3,000 mm	057 727.006	11
4× Delivery pipe SK 65, 3", 2,000 mm	057 728.005	12
29× Delivery pipe SK 65, 3", 3,000 mm	057 729.004	13
1× Lid	057 627.009	



Part	Part no.	Fig.
4× Delivery line bend, SK 65, 3", 45°	057 758.004	14
1× Delivery hose SK 65, 3", 5,000 mm	535 521	15
6× Sponge ball Ø 80 mm	000 246.000	16

Accessories P 715 / P 720

High-pressure concrete injection line, SK 65/SK 50, 3", max. 85 bar, ≤ 10 mm grain size



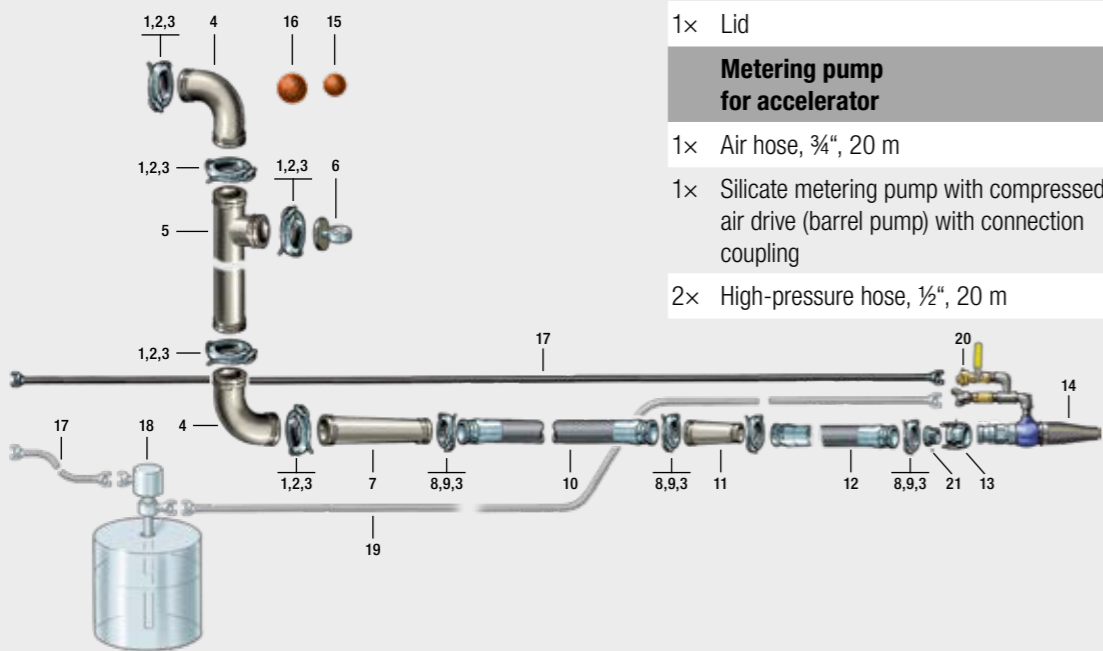
Complete set, part no. 533 048
Standard delivery line ≈ 60 m long,
consisting of:

Part	Part no.	Fig.
4× Clamp coupling SK 4.5"	431 613	1
4× Gasket, ID 100, 4.5"	057 341.000	2
30× Securing cotter pin	018 878.004	3
1× Delivery line bend, SK 100, 4.5", 90°	421 329	4
1× T-delivery pipe SK 100, 4.5", 1,000 mm	057 614.009	5
1× Pressure gauge, SK 100, 4.5", 100 bar	521 430	6
1× Reducer pipe SK 100, 4.5"–SK 65 / 3", 1 m	224 269.009	7
16× Clamp coupling, SK 3"	417 798	8

Part	Part no.	Fig.
16× Gasket, ID 65, 3"	064 084.004	9
8× Delivery hose SK 65, 3", 5,000 mm	535 521	10
1× Reducer pipe SK 65, 3" – SK 50, 3", 1,000 mm	058 670.000	11
4× Delivery hose SK 50, 3", 5,000 mm	481 171	12
1× Transition piece, SK 50, 3" to 2", IG	027 716.005	21
1× PM coupling, M 50, 2"	211 600.008	13
1× High-pressure concrete spray gun with rubber nozzle, 2", AG	532 589	14
6× Sponge ball Ø 60 mm	000 212.005	15
6× Sponge ball Ø 80 mm	000 246.000	16
2× Air hose 3/4", 20 m	416 015	17
1× Replacement rubber nozzle	532 590	
1× Geka 3/8" RA	041 403.006	20
1× Lid	057 627.009	

Metering pump for accelerator

Part	Part no.	Fig.
1× Air hose, 3/4", 20 m	416 015	17
1× Silicate metering pump with compressed air drive (barrel pump) with connection coupling	002 423.009	18
2× High-pressure hose, 1/2", 20 m	001 983.003	19



Concrete spray hose SK 65 / PM 50 / 3"; max. 40 bar, ≤ 8 mm grain size



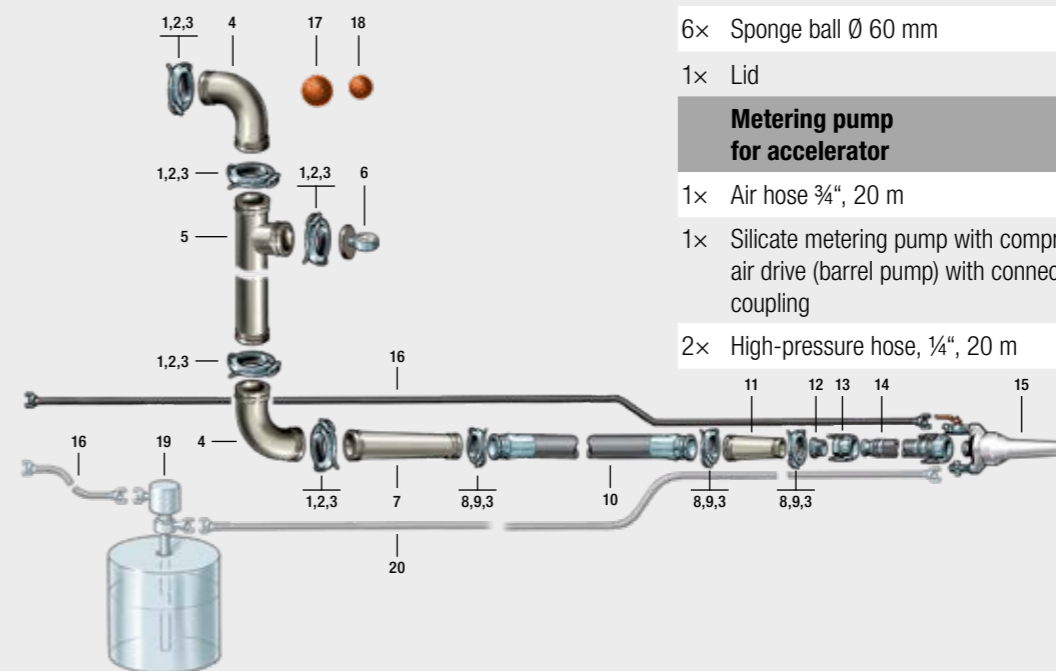
Complete set, part no. 533 047
Standard delivery line ≈ 50 m long,
consisting of:

Part	Part no.	Fig.
4× Clamp coupling, SK 4.5"	431 613	1
4× Gasket, ID 100, 4.5"	057 341.000	2
30× Securing cotter pin	018 878.004	3
2× Delivery line bend, SK 100, 4.5", 90°	421 329	4
1× T-delivery pipe, SK 100, 4.5", 1 m	057 614.009	5
1× Pressure gauge, SK 100, 4.5", 100 bar	521 430	6
1× Reducer pipe, SK 100, 4.5"–SK 65, 3", 1 m	224 269.009	7

Part	Part no.	Fig.
11× Clamp coupling, SK 3"	417 798	8
15× Gasket, ID 65, 3"	064 084.004	9
8× Delivery hose, SK 65, 3", 5 m	535 521	10
1× Reducer pipe SK 65, 3" – SK 50, 3", 1,000 mm	058 670.000	11
1× Transition piece	027 716.005	12
1× PM coupling, M 50, 2"	211 600.008	13
1× Mortar hose, ID 50 TS PN 40, 13 m	501 914	14
1× Concrete injection nozzle, V 50, 30 mm	072 157.004	15
2× Air hose 3/4", 20 m	416 015	16
6× Sponge ball Ø 80 mm	000 246.000	17
6× Sponge ball Ø 60 mm	000 212.005	18
1× Lid	057 627.009	

Metering pump for accelerator

Part	Art.-Nr.	Fig.
1× Air hose 3/4", 20 m	416 015	16
1× Silicate metering pump with compressed air drive (barrel pump) with connection coupling	002 423.009	19
2× High-pressure hose, 1/4", 20 m	001 983.003	20



Delivery line for fine grained concrete, SK 100 / 4.5", 85 bar, ≤ 16 mm grain size



Complete set, part no. 533 051
Standard delivery line ≈ 100 m long,
consisting of:

Part	Part no.	Fig.
48× Clamp coupling, SK 4.5"	431 613	1
55× Gasket, ID 100, 4.5"	057 341.000	2
55× Securing cotter pin	018 878.004	3
4× Delivery line bend, SK 100, 90°, 4.5"	421 329	4
1× T-delivery pipe SK 100, 4.5", 1,000 mm	057 614.009	5
1× Pressure gauge, SK 100, 4.5", 100 bar	521 430	6
30× Delivery pipe SK 100, 4.5", 3,000 mm	056 863.000	7
4× Delivery pipe SK 100, 4.5", 2,000 mm	056 862.001	8
2× Delivery pipe SK 100, 4.5", 1,000 mm	056 861.002	9
4× Delivery line bend, SK 100, 4.5", 45°	057 593.007	10
1× Delivery hose SK 100, 4.5", 2850 mm	253 319.001	11
6× Sponge ball Ø 120 mm	016 091.003	12
1× Lid	057 627.009	



P 718

Compact, wear-resistant powerhouse for heavy-duty applications up to 32 mm grain size

Machine operation with the diesel engine only permitted outside the EU!

Maintenance and service-friendly everything is protected below the canopy



Equipment	P 718
Clamp coupling with seal, 4.5"	■
Cleaning accessories	■
Instruction manual and spare parts list	■
Lifting eye	■
Protective grille	■
Rubber collar	■
Safety helmet	■
Toolbox and tools	■
Truck coupling	■
Vehicle fuse	■
Vibrator	■
24 V light holder	□
Additive metering unit (synchro)	□
Cable remote control	□
Car coupling	□
Central lubrication system	□
Customer labelling	□
Exhaust flap	□
Flushing water pump	□
High-pressure cleaner	□
"Hopper empty" signal	□
Radio remote control	□
Special canopy paint in RAL colours	□
Stroke counter	□
Working lights	□

■ Standard □ Option – Not available

Sufficient power for coarse materials (32 mm particle size)

- Also suitable for conveying self levelling floor screed and shotcrete
- 70 bar pressure at low speed – preserves the aggregate and saves fuel
- Large hopper with capacity of 360 l
- Reliable hydraulic control for greater efficiency

Minimal operating and maintenance costs

- Lightweight painted plastic hood and bodyshell with CDP dip coating do not rust and are easy to clean
- Optimum access for cleaning, maintenance and service work such as checking the oil level

Simple, clearly laid out, user-friendly

- Operating and control elements are ergonomically positioned within easy reach and visual range on one side
- Hopper folds to the side to give access to the agitator
- Lightweight, roadworthy T-chassis (trailer version) and sturdy lifting eye for easy transport and effortless manoeuvring

Wear-resistant, durable double-piston pump

- Hard chrome plated cylinders
- Spectacle wear plate made from tempered steel
- Self-sealing self-adjusting ring
- Geometry of the S transfer tube adapted to coarse materials



Technical data	P 718 TD – Non-EU	P 718 SD – Non-EU	P 718 TE	P 718 SE
Part no.	111 514.400	111 514.XXX depending on the machine configuration		
Feed hopper	360 l	360 l	360 l	360 l
Delivery rate (theor.)*	4–17.4 m ³ /h	4–17.4 m ³ /h	4–17.4 m ³ /h	4–17.4 m ³ /h
Delivery pressure	68 bar	68 bar	68 bar	68 bar
Delivery range**	Up to 300 m horizontal and 100 m vertical, with shotcrete up to 100 m horizontal and 80 m vertical			
Piston pump	2-cylinder, hydraulic			
Cylinder diameter	150 mm	150 mm	150 mm	150 mm
Engine	3-cylinder Deutz Diesel, 34.5 kW (emission stage III A – non-EU)		30 kW electric motor, 400 V, 50 Hz (63 A CEE; max. 70 m; min. 25 mm ²)	
Drive cylinder diameter	80/45 mm	80/45 mm	80/45 mm	80/45 mm
Piston stroke	700 mm	700 mm	700 mm	700 mm
Strokes/min.	27	27	27	27
Weight	2320 kg	2000 kg	2260 kg	1940 kg
Length × width × height	4644 × 1560 × 1790 mm	3025 × 1460 × 1600 mm	4644 × 1560 × 1750 mm	3025 × 1460 × 1450 mm
Filling height	1180 mm	1120 mm	1180 mm	1120 mm
Maximum particle size	32 mm	32 mm	32 mm	32 mm
Machine model	Trailer concrete pump	Stationary pump	Trailer concrete pump	Stationary pump
Chassis	Road travel chassis, 2500 kg	Skid frame	Road travel chassis, 2500 kg	Skid frame
Sound level L _{WA} /L _{PA}	108 dB / >85 dB(A)	108 dB / >85 dB(A)	108 dB / >85 dB(A)	108 dB / >85 dB(A)

* The delivery rate depends on the pump model. The delivery rate can vary in accordance with the pump used.

** The data is based on experience and depends on the materials used.

Shotcrete



Concrete, max. 32 mm grain size





P 730 – Stage V

The most powerful compact pump for high delivery rates in a new design

Extra large hopper with a volume of 360 l and agitator

Central operating position with intuitive keypad and clearly laid out display

Roadworthy chassis



Powerful 55.4 kW diesel engine with particle filter complies with "Stage V" emissions standard

Robust design with durable plastic hood according to the highest quality standard

New piston pump unit for particle sizes of up to 32 mm with delivery cylinders that are 180 mm in diameter for even higher delivery rates

Equipment	P 730 TD	P 730 SD
2.5 t chassis	■	■
Central lubrication system (with hand pump and manifold block)	■	■
Cleaning accessories	■	■
Delivery rate regulation (electric)	■	■
Ergonic® Output Control (EOC)	■	■
Exhaust flap	■	■
Instruction manual and spare parts list	■	■
Lifting eye	■	■
Protective grille	■	■
Rubber collar	■	■
Safety helmet	■	■
Stroke counter	■	■
Support feet (three mechanical feet on the hopper)	■	–
Toolbox and tools	■	■
Truck coupling	■	–
Vibrator	■	■
24 V light holder	□	–
Additive metering unit (synchro)	□	□
Cable remote control	□	□
Car coupling	□	–
Central lubrication system (electric, automatic)	□	□
Customer labelling	□	□
Flushing water pump	□	□
High-pressure cleaner	□	□
"Hopper empty" signal	□	□
Radio remote control with adjustable delivery rate	□	□
Special hood paint in RAL colours	□	□
Splash guard – hopper cover and spray guard	□	□
USB charging port with smartphone holder on the operating panel	□	□
Working lights	□	□

■ Standard □ Option – Not available

Shotcrete



Concrete, max. 32 mm grain size



Economic and future-oriented

- Ideal for pumping service providers and construction companies, compact and flexible in use
- Delivery pressure can be reduced to 40 bar with the hand lever, making it possible to use lighter mortar hoses
- Suitable for road use and lifting eye for maximum flexibility
- Folding hopper makes cleaning and maintenance easier



Environmentally friendly and powerful

- Robust, compact 3-cylinder common-rail diesel engine from Deutz
- DVERT® particle filter system (DPF) enables maintenance-free operation in all possible applications and ambient conditions
- TRGS 554 conformity enables machine operation in (partially) enclosed areas
- Does not require urea (also known as AdBlue®)



Robust and clearly laid out operating panel

- Intuitive keypad with "follow the blue light" principle increases operating safety
- All relevant functions are easy to switch on or off – even when wearing gloves
- Coloured status LEDs on every keypad button provide continuous feedback on current operating states
- Lockable acrylic-glass door protects against dirt, moisture and unauthorised access and is resistant against weathering



Incredible versatility thanks to wide range of equipment

- More equipment included as standard, with stroke counter and electric adjustable delivery rate
- EOC perfectly adjusts the motor speed to the required delivery rate. This makes it possible to save up to 15% in fuel.
- Synchronised additive pump fully integrated in control system
- Robust radio and cable remote control with a wide range of operating options



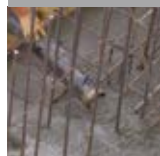
Technical data	P 730 TD	P 730 SD
Part no.	111 671.200	111 671.400
Feed hopper	300 l/360 l (with rubber attachment collar)	300 l/360 l (with rubber attachment collar)
Delivery rate (theor.)*	3–30 m³/h	3–30 m³/h
Delivery pressure (max.)	55 bar	55 bar
Delivery range**	Up to 300 m horizontal and 100 m vertical, with fine grained concrete up to 100 m horizontal and 80 m vertical	
Piston pump	2-cylinder, hydraulic	2-cylinder, hydraulic
Cylinder diameter	180 mm	180 mm
Drive	3-cylinder Deutz diesel engine with turbocharging, 55.4 kW (Stage V)	
Drive cylinder diameter	80/45 mm	80/45 mm
Piston stroke	700 mm	700 mm
Strokes/min.	29	29
Weight	2450 kg	2180 kg
Length × width × height	4810 mm × 1592 mm × 1983 mm	3137 mm × 1408 mm × 1734 mm
Filling height	1340 mm	1093 mm
Maximum particle size	32 mm	32 mm
Machine model	Trailer concrete pump	Stationary pump
Chassis	Road travel chassis, 2500 kg	Skid frame
Sound level L_{WA}/L_{pA}	113 dB / >85 dB(A)	113 dB / >85 dB(A)

* The delivery rate depends on the pump model. The delivery rate can vary in accordance with the pump used.

** The data is based on experience and depends on the materials used.

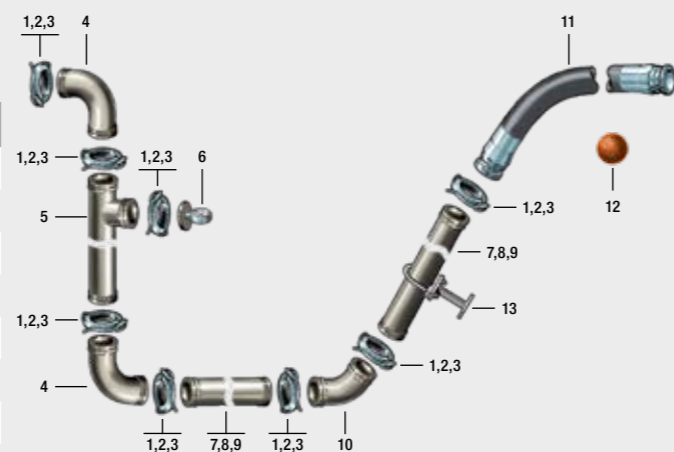
Accessories P 718 / P 730

Delivery line for fine grained concrete SK 125 / 5.5", 85 bar, ≤ 32 mm grain size



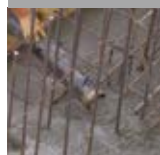
Complete set, part no. 533 054
Standard delivery line ≈ 100 m long,
consisting of:

Part	Part no.	Fig.
60× Clamp coupling, SK 5.5"	417 249	1
60× Gasket, 5.5"	055 559.001	2
60× Securing cotter pin	018 878.004	3
6× Delivery line bend SK 125, 5.5" 90° r=275 HD	261 402.007	4
1× T delivery pipe SK 125, 5.5" 1,000 mm	057 615.008	5
1× Pressure gauge, SK 125, 5.5" 100 bar	521 448	6
2× Delivery pipe SK 125, 5.5", 1,000 mm	056 849.008	7
2× Delivery pipe SK 125, 5.5", 2,000 mm	056 850.000	8
32× Delivery hose SK 125, 5.5", 3,000 mm	056 851.009	9
2× Delivery line bend SK 125, 5.5", 45°	057 596.004	10
2× Delivery line bend, SK 125, 5.5", 30°	258 935.008	10
4× Manual gate valve, GVM 2/2, 130 bar	433 497	11
6× Sponge ball Ø 150 mm	018 841.002	12
6× Sponge ball Ø 150 mm, hard	223 673.007	12
1× Lid	057 628.008	
1× Support holder for end hose	054 371.002	



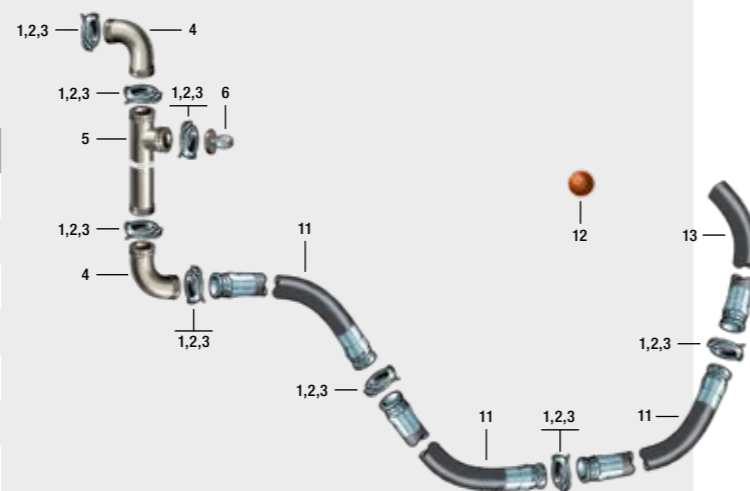
Additional accessories	Part no.	Fig.
1× Manual gate valve, GVM 2/2, 130 bar	413 087	
1× Wash-out port lid, SK 125, 5.5"	057 619.004	
1× PM grout, 18 l storage tank, 25 pcs	266 743.004	
1× Pipeline mount, wall and ground	051 038.005	13

Flexible delivery line for fine grained concrete SK 125 / 5.5", 85 bar, ≤ 32 mm grain size



Complete set, part no. 533 055
Standard delivery line ≈ 100 m long,
consisting of:

Part	Part no.	Fig.
60× Clamp coupling, SK 5.5"	417 249	1
60× Gasket, 5.5"	055 559.001	2
60× Securing cotter pin	018 878.004	3
4× Delivery line bend, SK 125, 5.5" 90°	261 402.007	4
1× T delivery pipe, SK 125, 5.5", 1,000 mm	057 615.008	5
1× Pressure gauge, SK 125, 5.5", 100 bar	521 448	6
5× Delivery hose SK 125, 5.5", 2,000 mm	027 643.000	11
18× Delivery hose SK 125, 5.5", 5,000 mm	057 612.001	11
6× Sponge ball Ø 150 mm	018 841.002	12
6× Sponge ball Ø 150 mm, hard	223 673.007	12
1× End hose SK 125, 5.5", 3,000 mm	233 649.005	13
1× Support holder for end hose	054 371.002	
1× Lid	057 628.008	



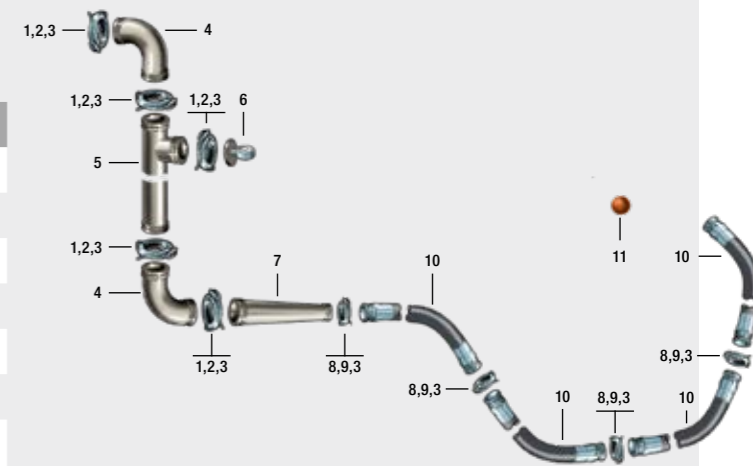
Additional accessories	Part no.	Fig.
1× Wash-out port lid for T-delivery pipe, 5.5"	057 619.004	
1× Delivery hose SK 125, 5.5", 3,000 mm	433 497	11
1× Delivery hose SK 125, 5.5", 4,000 mm	089 983.009	11
1× PM hose carriage, cpl.	482 464	
1× PM grout, 18 l storage tank, 25 pcs	266 743.004	

Flexible delivery line for fine grained concrete SK 100 / 4.5", 85 bar, ≤ 16 mm grain size



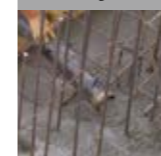
Complete set, part no. 533 053
Standard delivery line ≈ 100 m long,
consisting of:

Part	Part no.	Fig.
6× Clamp coupling, SK 5.5"	417 249	1
6× Gasket, 5.5"	055 559.001	2
60× Securing cotter pin	018 878.004	3
2× Delivery line bend SK 125, 5.5", 90°	261 402.007	4
1× T delivery pipe SK 125, 5.5" 1,000 mm	057 615.008	5
1× Pressure gauge, SK 125, 5.5" 100 bar	521 448	6
1× Reducer pipe SK 125, 5.5", SK 100, 4.5", 1,000 mm	057 604.006	7
50× Clamp coupling, SK 100, 4.5"	431 613	8
50× Gasket, ID 100, 4.5"	057 341.000	9
18× Delivery hose SK 100, 4.5", 2,850 mm	253 319.001	10
6× Sponge ball Ø 120 mm	016 091.003	11
1× Lid	057 628.008	



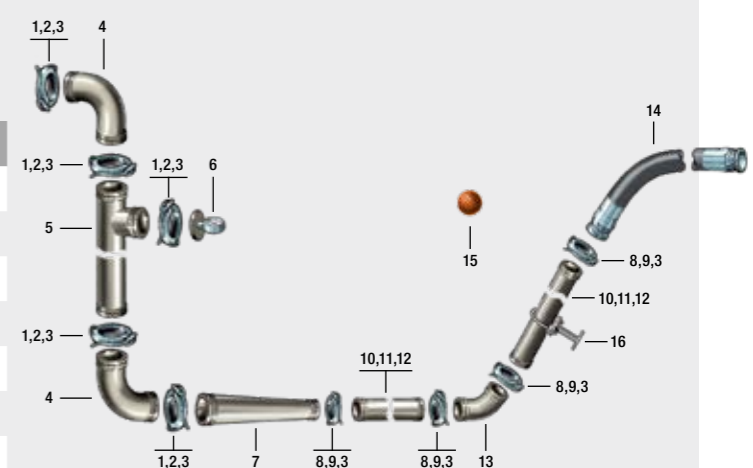
Additional accessories	Part no.	Fig.
1× Wash-out port lid for T-delivery pipe, 5.5"	057 619.004	
1× PM grout, 18 l storage tank, 25 pcs	266 743.004	
Alternative	Art.-Nr.	Abb.
1× Delivery hose SK 100, 4.5", 5,000 mm	057 609.001	10

Delivery line for fine grained concrete SK 100 / 4.5", 85 bar, ≤ 16 mm grain size



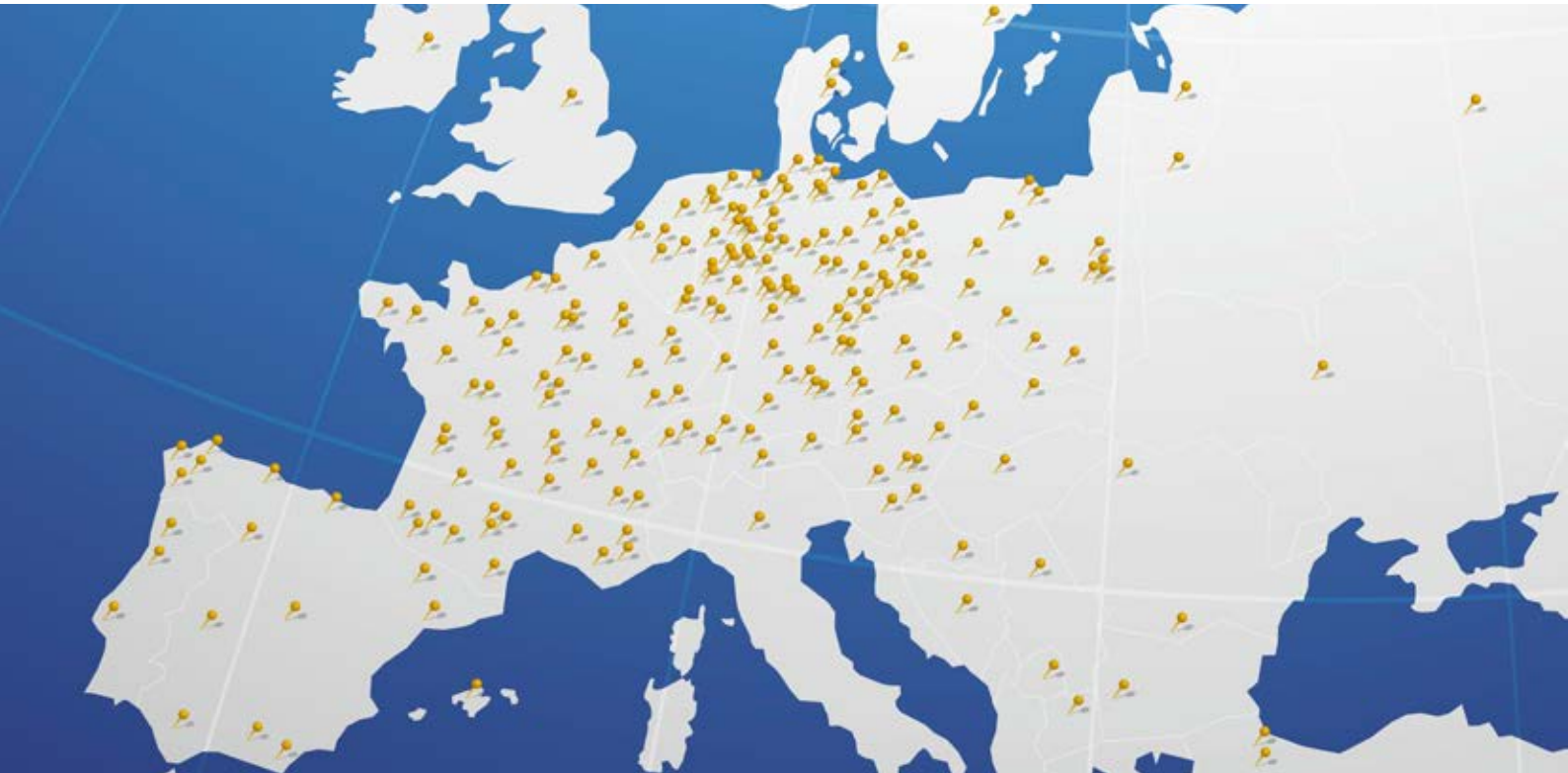
Complete set, part no. 533 052
Standard delivery line ≈ 50 m long,
consisting of:

Part	Part no.	Fig.
6× Clamp coupling, SK 5.5"	417 249	1
6× Gasket, 5.5"	055 559.001	2
60× Securing cotter pin	018 878.004	3
2× Delivery line bend, SK 5.5" 90°	261 402.007	4
1× T delivery pipe SK 125, 5.5", 1,000 mm	057 615.008	5
1× Pressure gauge, SK 125, 5.5", 100 bar	521 448	6
1× Reducer pipe SK 125, 5.5" SK 100, 4.5", 1,000 mm	057 604.006	7
50× Clamp coupling, SK 4.5"	431 613	8
50× Gasket, ID 100, 4.5"	057 341.000	9
30× Delivery pipe SK 100, 4.5", 3,000 mm	056 863.000	10
4× Delivery pipe SK 100, 4.5", 2,000 mm	056 862.001	11
2× Delivery pipe SK 100, 4.5", 1,000 mm	056 861.002	12
4× Delivery line bend, SK 100, 4.5", 90°	421 329	13
4× Delivery line bend, SK 100, 4.5", 45°	057 593.007	13
1× Lid	057 628.008	



Part	Part no.	Fig.
6× End hose SK 100, 4.5", 2,850 mm	253 319.001	14
6× Sponge ball Ø 120 mm	016 091.003	15
Additional accessories	Part no.	Fig.
1× Wash-out port lid for T-delivery pipe, 5.5"	057 619.004	
1× Pipeline mount, wall or ground	051 038.005	16
1× PM grout, 18 l storage tank, 25 pcs	266 743.004	

Putzmeister Service – always near you



Find your nearest Putzmeister dealer here
www.pmmortar.com

The maximum availability of your machine must be guaranteed. Our reliable service team will be glad to help if the worst comes to the worst. To make sure you are not kept waiting, we work with a large network of competent service partners located all over the world.

Fast delivery of original spare parts

We have a large warehouse at our main plant in Aichtal and our service support points, where we stock all our spare and wear parts. Consequently, we can deliver all the parts you need at the drop of a hat. The same applies for our quality accessories. We always keep the most common parts from our extensive assortment in stock.

Our electronic spare part catalogue provides a comprehensive overview of all parts. Simply enter your machine number or part number to display the relevant spare parts. Click on the "Service" menu item on our homepage at www.pmmortar.de for more information.



Work more efficiently with Putzmeister training courses

Gather first-hand information in the Putzmeister academy and share practical knowledge that can be applied to your daily working routine.

We offer you

- Technical training on the design characteristics and functions of the machine
- User training on handling and economical operation of Putzmeister machines
- Individual seminars held at your own company
- Special seminars for sales partners that discuss current sales information
- State-of-the-art facilities for staff and customer training
- Trainers with extensive practical experience
- Interesting, easily comprehensible transfer of knowledge
- Detailed training documentation

Advantages

- Save time and money – rectify minor faults and perform simple maintenance tasks independently
- Correct machine operation for greater working efficiency
- Prevent incorrect operation – increase availability

PMTTraining@putzmeister.com



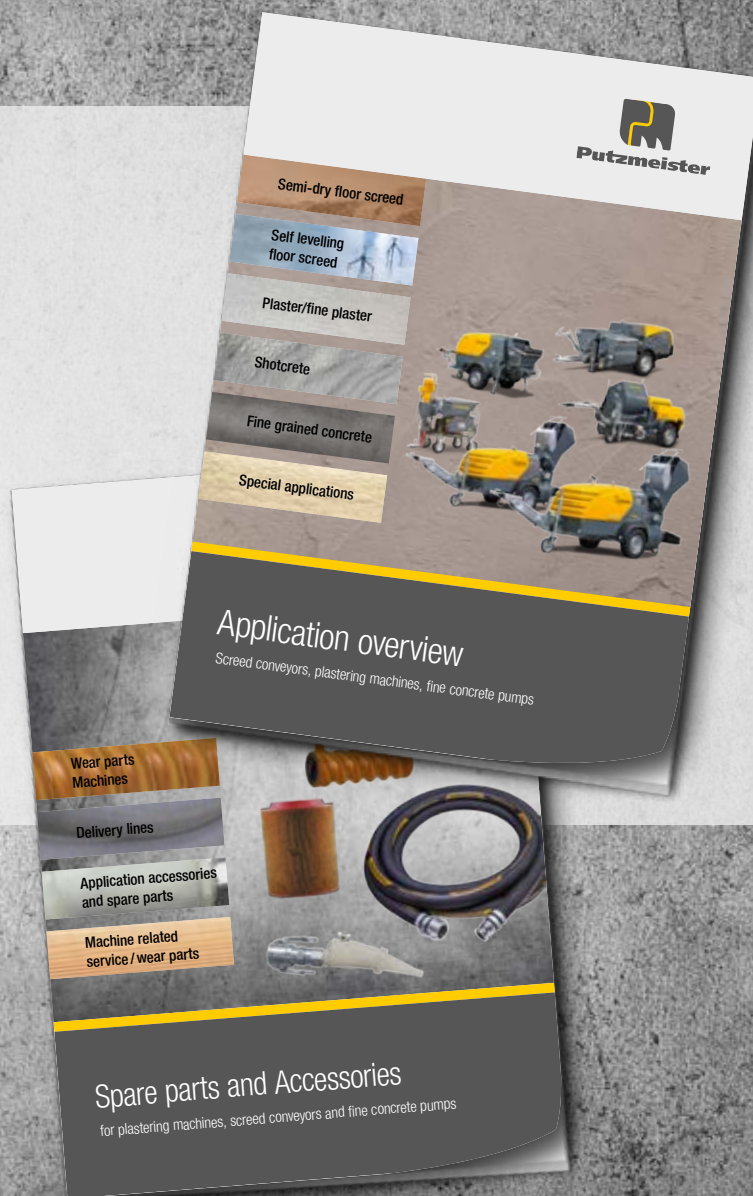
Your service benefits at a glance

- Service centres in more than 150 countries worldwide
- **Putzmeister service hotline: +49 (7127) 599-699** or e-mail **PMTservices@pmw.de**
- Competent contact partners
- Fast, uncomplicated order processing
- Short delivery times for machines, spare parts, and wear parts
- Certified original parts, 12,000 different items kept in stock
- Eco-friendly machines
- Fair pricing
- Made in Germany
- Manufacturer inspection according to German Engineering Federation requirements (certified as per EN ISO 9001)

Read our application overview brochure for a quick overview of all application solutions.

Or are you interested in purchasing spare parts and other accessories? You can find everything you will need for your machine in our new accessories catalogue.

Ask your Putzmeister dealer or contact us directly. We will send you all the relevant information immediately.



Putzmeister Mörtelmaschinen GmbH

Max-Eyth-Straße 10 · 72631 Aichtal / Germany

P.O.Box 2152 · 72629 Aichtal / Germany

Tel. +49 (7127) 599-0 · Fax +49 (7127) 599-743

mm@putzmeister.com · www.putzmeister.com

 **Putzmeister**